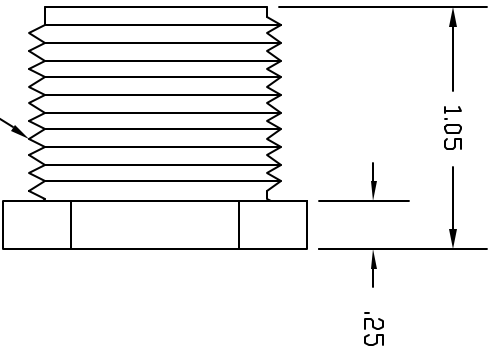
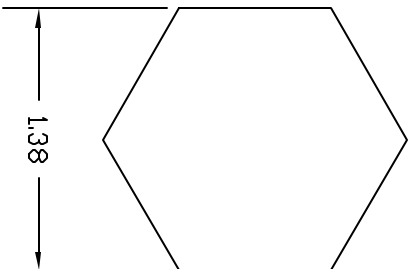
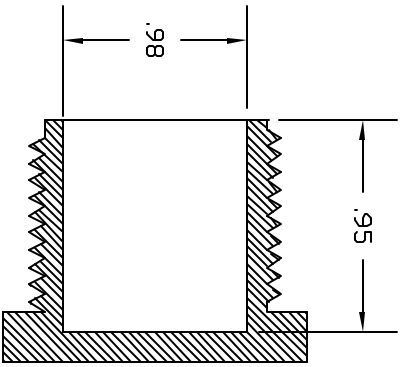


REVISIONS			
REV	DESCRIPTION	DATE	APPROVED
A	REDRAWN & RELEASED	1/98	1/98
B	UPDATE DWG	9/07	9/07



MALE 1" NPT



CONTROLLED DOCUMENT
ONLY IF IN RED

CONFIDENTIAL
THIS PRINT AND THE SPECIFICATIONS ARE THE PROPERTY OF THOGUS PRODUCTS COMPANY AND HAVE BEEN ISSUED WITH THE UNDERSTANDING THAT REVEALING THE IDENTIFIED INFORMATION TO OTHERS AND WILL BE RETURNED UPON REQUEST.

UNLESS OTHERWISE SPECIFIED DIMENSIONS ARE IN INCHES		TOLERANCES	
XX	+/- .05	XX	+/- .05
XXX	+/- .015	XXX	+/- .015

DRAWN	NM	DATE	1/98
MATERIAL	NYLON		

Part Name	1NPT PLUG
Part Number	TP4016/N
REV	B

THOGUS PRODUCTS	33490 PIN DAK PARKWAY
	AVON LAKE OHIO 44012

SHEET	1	of	1
-------	---	----	---