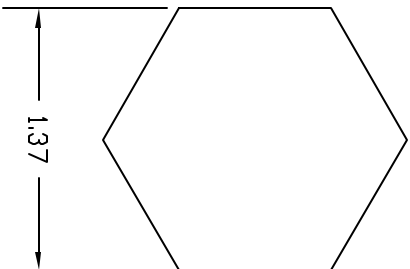
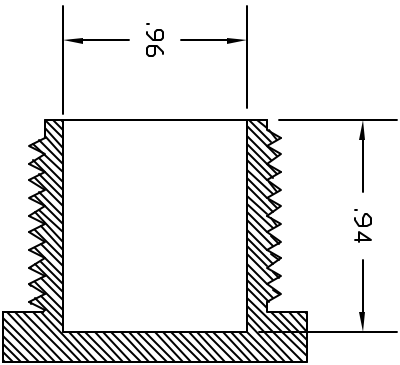
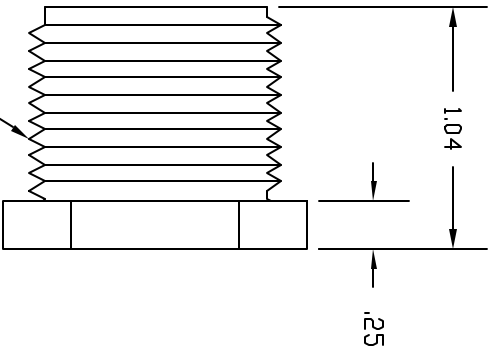


REVISIONS			
REV	DESCRIPTION	DATE	APPROVED
A	REDRAWN & RELEASED	1/98	1/98
B	UPDATE DWG	9/07	9/07



COLOR: BLACK (PPB)

NATURAL (PPN)

CONTROLLED DOCUMENT
ONLY IF IN RED

CONFIDENTIAL
THIS PRINT AND THE SPECIFICATIONS ARE THE PROPERTY OF THOGUS PRODUCTS COMPANY AND HAVE BEEN ISSUED WITH THE UNDERSTANDING THAT REVEALING THE DESIGN TO ANY OTHER MANUFACTURER FOR OTHERS AND WILL BE RETURNED UPON REQUEST.

UNLESS OTHERWISE SPECIFIED DIMENSIONS ARE IN INCHES		TOLERANCES	
DECIMALS	FRACTIONS	ANGLES	HOLE DIA
XX +/- .05	1/16 - .015	1/16 - .015	XX +/- .015
XXX +/- .015			
DRAWN	DATE	Part Name	
NM	1/98	1/4 NPT PLUG	
MATERIAL	FINISH	Part Number	REV
POLYPROPYLENE	4016PP	TP4016/PP	B
THOGUS PRODUCTS		33490 PIN DAK PARKWAY AYDON LAKE OHIO 44012	
SHEET 1		OF 1	