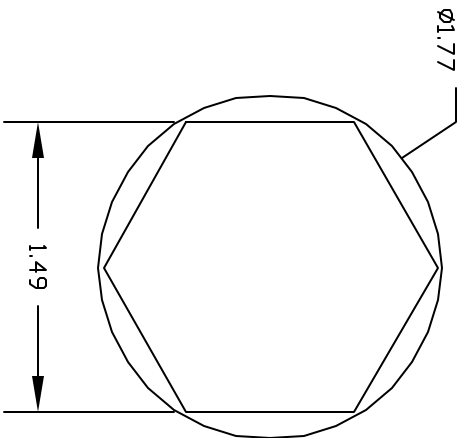
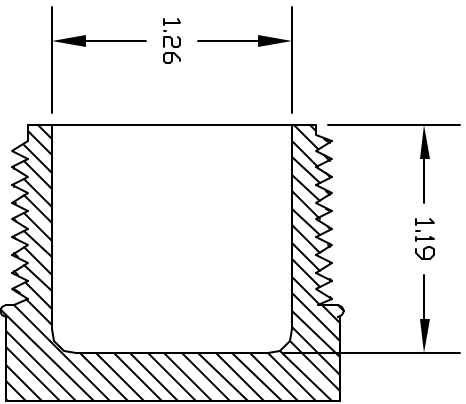
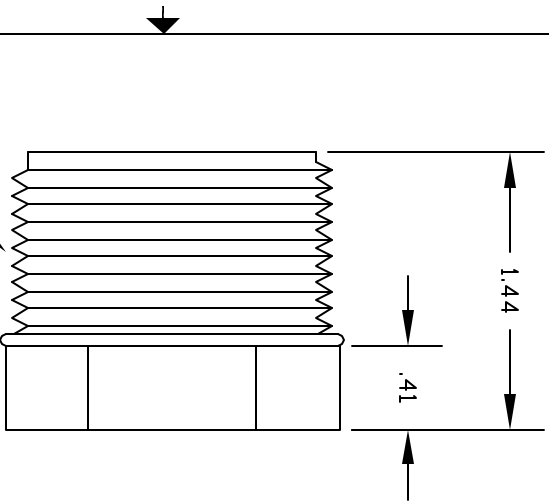


REVISIONS			
REV	DESCRIPTION	DATE	APPROVED
A	REDRAWN & RELEASED	1/98	1/98
B	UPDATE DWG	9/07	9/07



CONTROLLED DOCUMENT  
ONLY IF IN RED

CONFORMANCE  
THIS PRINT AND THE SPECIFICATIONS ARE THE PROPERTY OF THOGUS PRODUCTS COMPANY AND HAVE BEEN ISSUED WITH THE UNDERSTANDING THAT REVISIONS WILL BE KEPT FOR THE MANUFACTURE FOR OTHERS AND WILL BE RETURNED UPON REQUEST.

UNLESS OTHERWISE SPECIFIED DIMENSIONS ARE IN INCHES		TOLERANCES	
FINISH	XX +/- .05	PLUG	YY +/- .05
DRAWN	NM	DATE	1/98
MATERIAL	NYLON	Part Number	TP 4020/N
Part Name	1-1/4NPT PLUG	REV	B
THOGUS PRODUCTS	33490 PIN DAK PARKWAY AYDON LAKE OHIO 44012	SHEET	1 of 1