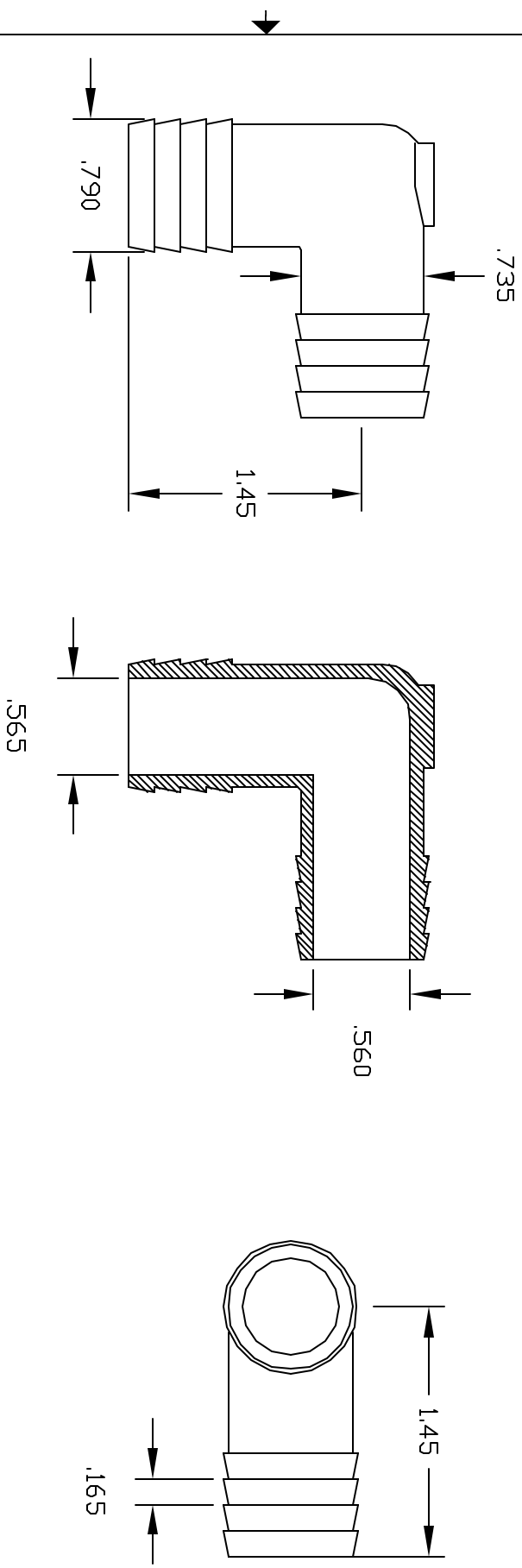


REVISIONS			
REV	DESCRIPTION	DATE	APPROVED
A	REDRAWN & RELEASED	2/98	2/98
B	GATE PAD ADDED	9/98	9/98



UNLESS OTHERWISE SPECIFIED DIMENSIONS ARE IN INCHES		DRAWN		DATE	
TOLERANCES		NM			
FRACTIONS					
XX +/- .05					
XXX +/- .015					
MATERIAL		POLYETHYLENE		Part Number	
201212-TP				3/4 BAR X 3/4 BARB ELBOW	
Part Number		TE201212-T/P		Scale	
1:1				SHEET 1 of 1	
REV		B		REV	

THIS PRINT AND THE SPECIFICATIONS ARE THE PROPERTY OF THOGUS PRODUCTS COMPANY AND HAVE BEEN LENT WITH THE UNDERSTANDING THAT IT IS NOT TO BE REPRODUCED OR MANUFACTURED FOR OTHERS AND WILL BE RETURNED UPON REQUEST.

CONTROLLED DOCUMENT
ONLY IF IN RED