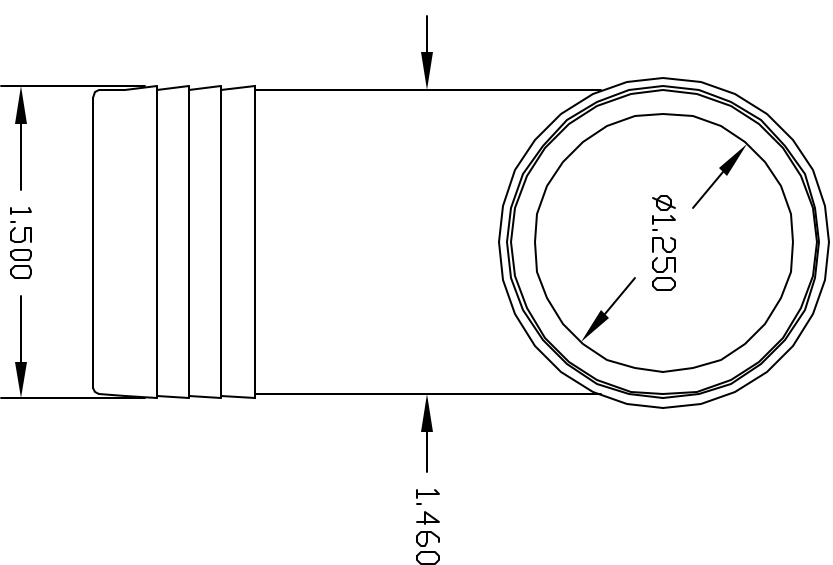
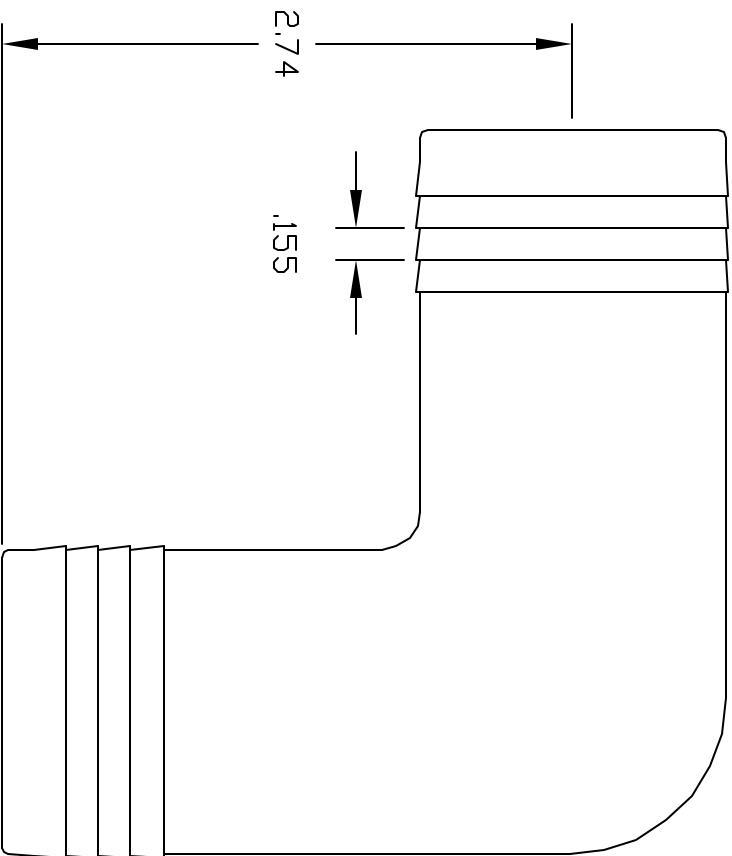


REVISIONS			
REV	DESCRIPTION	DATE	APPROVED
A	concept prototype	10/00	
B	RELEASE	11/00	
C	RENAME, WAS TE202424T/BN-C	12/02	
D	UPDATE DWG	9/07	9/07



FOR USE WITH CONVOLUTED TUBING

COLOR: NATURAL (N)

BLACK (BN)

CONTROLLED DOCUMENT
ONLY IF IN RED

CONFIDENTIAL
THIS PRINT AND THE SPECIFICATIONS
HEREIN ARE THE PROPERTY OF
THOGUS COMPANY AND HAVE BEEN
ISSUED WITH THE UNDERSTANDING THAT
IT WILL NOT BE REPRODUCED,
REVEALED TO OR USED FOR THE
MANUFACTURE FOR OTHERS AND WILL
BE RETURNED UPON REQUEST.

UNLESS OTHERWISE SPECIFIED DIMENSIONS ARE IN INCHES	
DECIMALS 1/100	TOLERANCES ANGULAR 1/10
DRAWN BM	DATE 10/00
FILENAME 202424-TN	MATERIAL NYLON

PART NAME	
1-1/2 BARB X 1-1/2 BARB ELBOW	
THOGUS PRODUCTS	33490 PIN OAK PARKWAY AVON LAKE OHIO 44012
PART NUMBER TE202424-T/N	SCALE 1:1
REV D	SHEET 1 OF 1