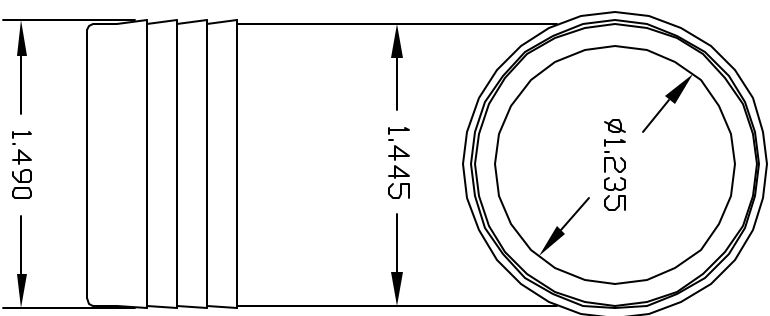
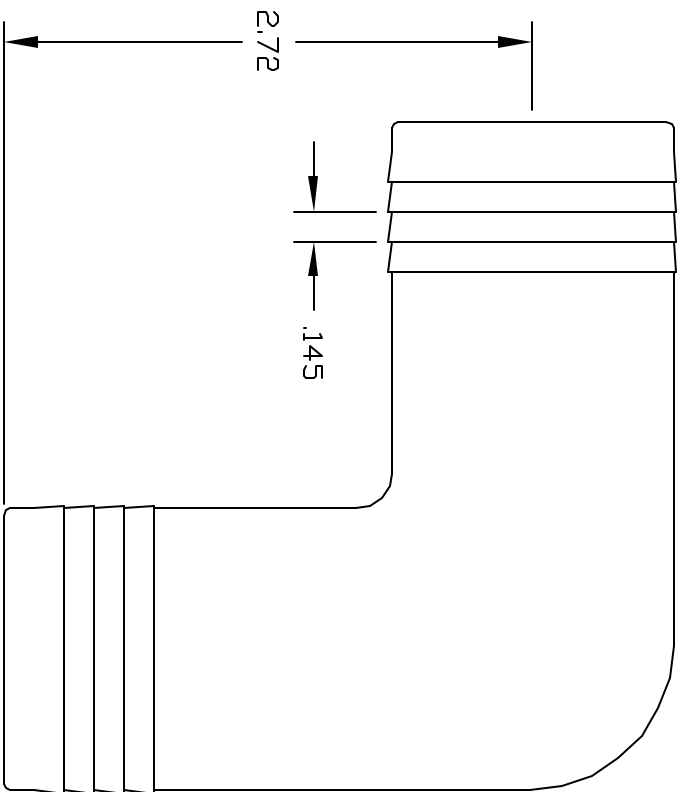


REVISIONS			
REV	DESCRIPTION	DATE	APPROVED
A	Concept Prototype	10/00	
B	RELEASE	11/00	
C	RENAMEJ WAS TE202424T/BN-C	12/02	



COLOR: BLACK (PPB)

NATURAL (PPN)

CONTROLLED DOCUMENT  
ONLY IF IN RED

FOR USE WITH CONVOLUTED TUBING

**CONTINGENT**  
THIS PRINT AND THE SPECIFICATIONS ARE THE PROPERTY OF THOGUS PRODUCTS COMPANY AND HAVE BEEN ISSUED WITH THE UNDERSTANDING THAT IT WILL NOT BE REPRODUCED, MANUFACTURE FOR OTHERS AND WILL BE RETURNED UPON REQUEST.

UNLESS OTHERWISE SPECIFIED DIMENSIONS ARE IN INCHES	
DECIMALS .XX +/- .05	ANGULAR +/- .01
DRAWN BM	DATE 10/00
FILENAME: 202424-TPP	MATERIAL POLYPROPYLENE

PART NAME: 1-1/2 BARB X 1-1/2 BARB ELBOW	
THOGUS PRODUCTS 33490 PIN DAK PARKWAY AVON LAKE OHIO 44012	
PART NUMBER: TE202424-T/PP	SCALE: 1:1
SHEET 1 OF 1	REV C