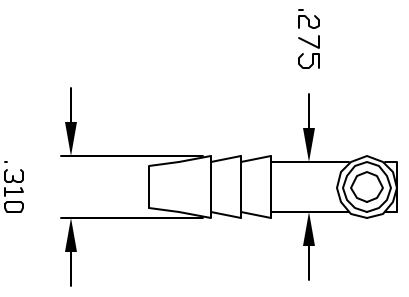
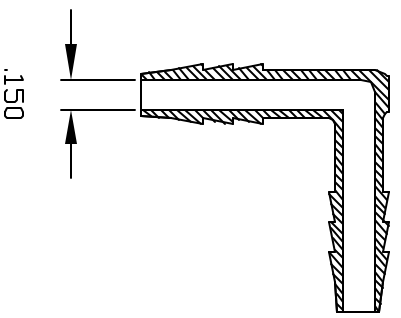
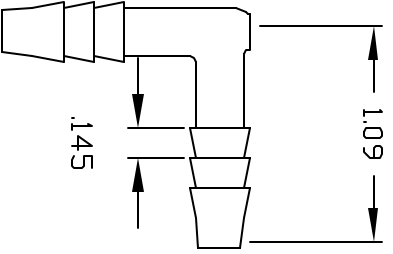


REVISIONS

REV	DESCRIPTION	DATE	APPROVED
A	DRAWN AND RELEASED	9/96	
B	Add Gate Pade change dimensions	7/99	7/99
C	Change drawing to show 5 deg.	7/99	7/99
D	UPDATE DWG	9/00	9/00
E	REDRAWN	10/01	10/01



CONTROLLED DOCUMENT  
ONLY IF IN RED

UNLESS OTHERWISE SPECIFIED DIMENSIONS ARE IN INCHES TOLERANCES ARE: DECIMALS .005 FRACTIONS 1/16		Part Name 1/4 BARB X 1/4 BARB ELBOW	
DRAWN BM		THOGUS PRODUCTS 33597 PIN DAK PARKWAY AVON LAKE OHIO 44012	
PART NUMBER 2044TP		Part Number TE2044-T/P	
MATERIAL POLYETHYLENE		SCALE	
		SHEET 1 of 1	

Small text at the bottom right corner, likely a drawing standard or reference.