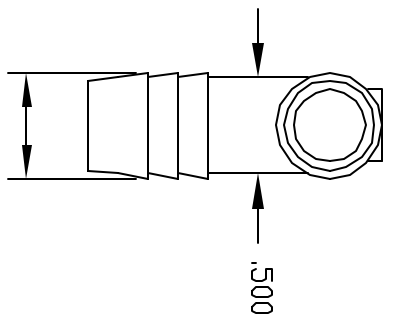
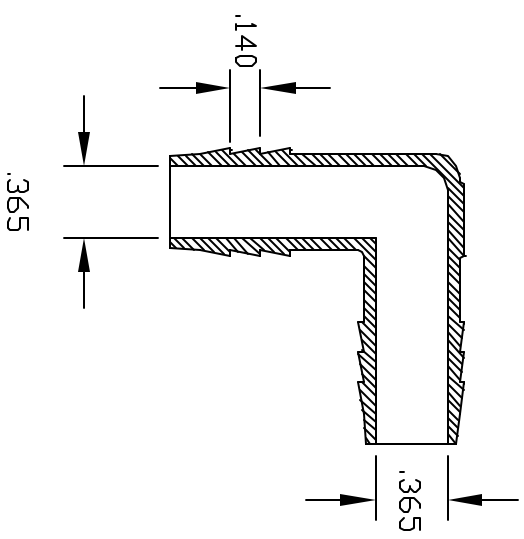
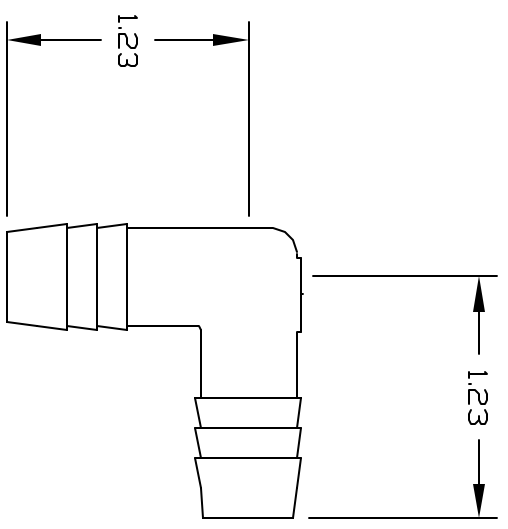


| REVISIONS |                   |           |          |
|-----------|-------------------|-----------|----------|
| REV       | DESCRIPTION       | DATE      | APPROVED |
| B         | .375 GATE PAD WAS | .187 3/98 | 3/98     |
| C         | 5° ADDED .468 WAS | .500 4/98 | 4/98     |
| D         | REDRAWN-UPDATED   | 02/01/00  | BM       |



CONTROLLED DOCUMENT  
ONLY IF IN RED

**CONFIDENTIAL**  
THIS PRINT AND THE SPECIFICATIONS ARE THE PROPERTY OF THOGUS PRODUCTS COMPANY AND HAVE BEEN ISSUED WITH THE UNDERSTANDING THAT ALL INFORMATION CONTAINED HEREIN IS TO BE KEPT FOR THE MANUFACTURE OF THIS PRODUCT AND WILL BE RETURNED UPON REQUEST.

| UNLESS OTHERWISE SPECIFIED DIMENSIONS ARE IN INCHES |              | TOLERANCES            |            |
|---|--------------|-----------------------|------------|
| XX  | +/- .05      | XX                    | +/- .05    |
| XXX   | +/- .015     | XXX                   | +/- .015   |
| DRAWN   | NM           | DATE                  | 4/98       |
| DESIGNED  | 2088-TP      |                       |            |
| MATERIAL  | POLYETHYLENE |                       |            |
| PART NAME: 1/2 BARB X 1/2 BARB ELBOW                |              | Part Number           | TE2088-T/P |
| THOGUS PRODUCTS                                     |              | 33490 PIN DAK PARKWAY |            |
|   |              | AYDN LAKE OHIO 44012  |            |
| REV   | D            | SHEET                 | 1 of 1     |