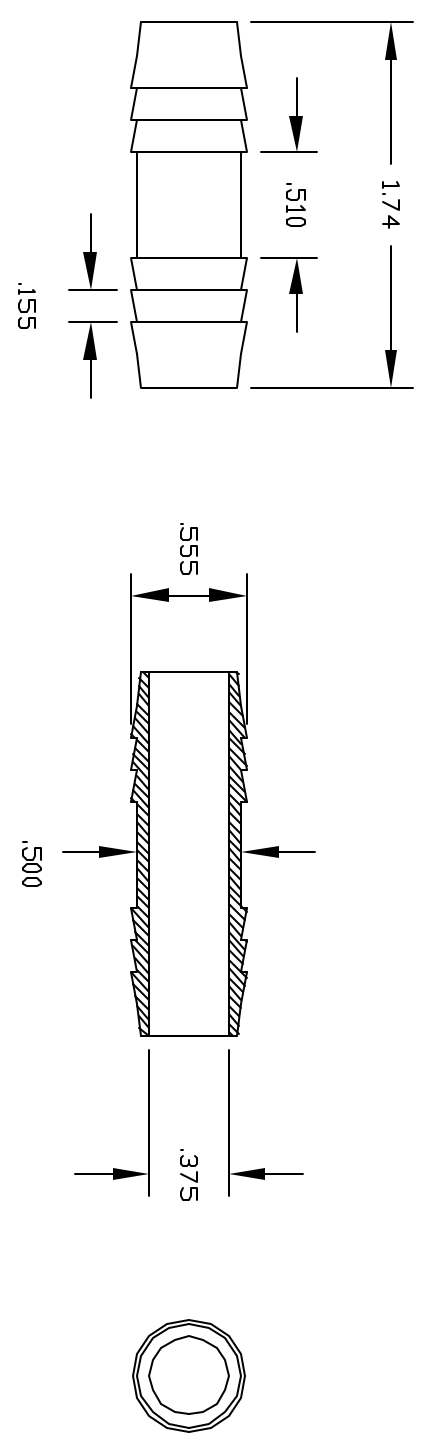


REV	DESCRIPTION	DATE	APPROVED
A	REDRAWN & RELEASED	10/97	10/97
B	MOVED 0.495 DIM.	01/03/2000	BM
C	MODIFIED BARB & LEN	01/08/2000	BM
D	UPDATE DWG	9/07	9/07



CONTROLLED DOCUMENT
ONLY IF IN RED

CONFIDENTIAL
THIS PRINT AND THE SPECIFICATIONS
HEREON ARE THE PROPERTY OF THOGUS
PRODUCTS COMPANY AND HAVE BEEN
ISSUED WITH THE UNDERSTANDING THAT
IT WILL NOT BE REPRODUCED,
REVEALED TO OR USED FOR THE
MANUFACTURE FOR OTHERS AND WILL
BE RETURNED UPON REQUEST.

UNLESS OTHERWISE SPECIFIED DIMENSIONS ARE IN INCHES	DRAWN	DATE
THOGUS TECHNICAL SERVICES 100 W-2115 47-015	BM	12/99
	MATERIAL	
	NYLON	

PART NAME		PART NUMBER		SCALE	SHEET	OF	REV
1/2 BARB X 1/2 BARB CONNECTOR		TC7088/N		1:1	1	1	D
THOGUS PRODUCTS		33490 PIN OAK PARKWAY					
		AVON LAKE OHIO 44012					