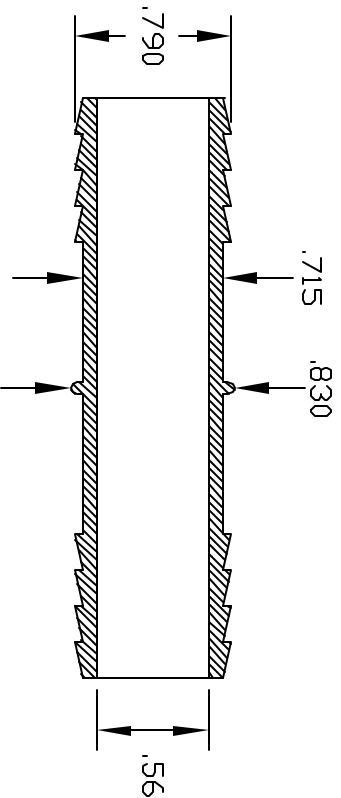
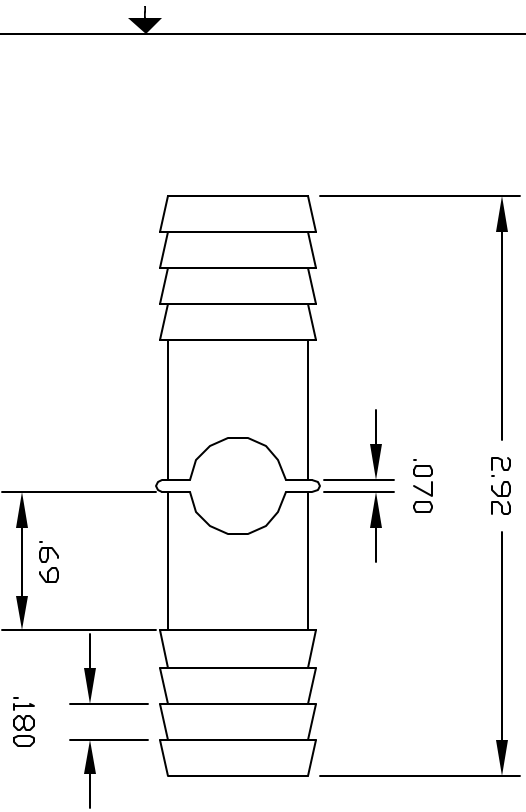


REVISIONS				
ZONE	REV	DESCRIPTION	DATE	APPROVED
	A	REDRAWN & RELEASED	11/97	11/97



CONTROLLED DOCUMENT
ONLY IF IN RED

CONFIDENTIAL
THIS PRINT AND THE SPECIFICATIONS ARE THE PROPERTY OF THOGUS PRODUCTS COMPANY AND HAVE BEEN ISSUED WITH THE UNDERSTANDING THAT ALL INFORMATION CONTAINED HEREIN IS TO BE KEPT FOR THE MANUFACTURE FOR OTHERS AND WILL BE RETURNED UPON REQUEST.

UNLESS OTHERWISE SPECIFIED DIMENSIONS ARE IN INCHES		Part Name:	
DECIMAL FRACTIONS	3/16	3/4 BARB X 3/4 BARB CONNECTOR	
XX +/- .05	1/4	THOGUS PRODUCTS 33597 PIN DAK PARKWAY	
XXX +/- .015	1/2	AYDON LAKE OHIO 44012	
DRAWN	NM	DATE	11/97
DESIGNED	71212P	Part Number	
MATERIAL	POLYETHYLENE	SCALE	1:1
SHEET 1		of	1
REV		A	

NOTED BY CUSTOMER: THESE PARTS SHALL BE MANUFACTURED BY THOGUS PRODUCTS COMPANY.