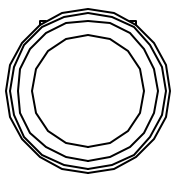
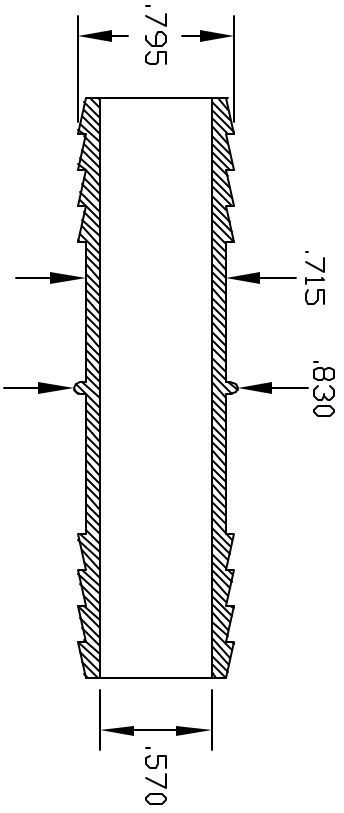
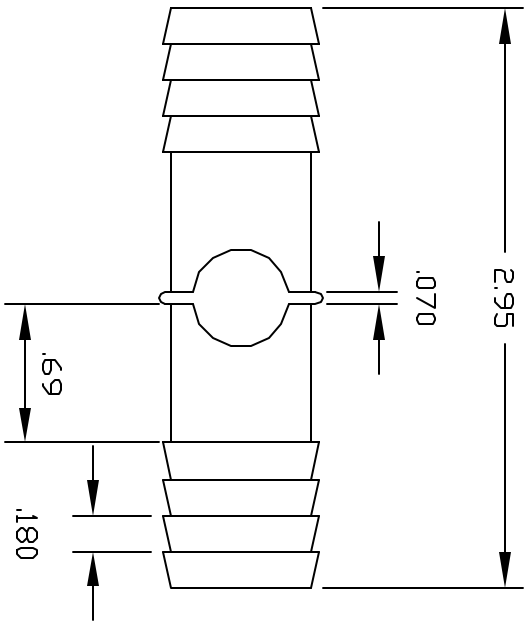


REVISIONS				
ZINC	REV	DESCRIPTION	DATE	APPROVED
	A	REDRAWN & RELEASED	11/97	11/97



CONTROLLED DOCUMENT  
ONLY IF IN RED

CONDONENTIAL  
THIS PRINT AND THE SPECIFICATIONS ARE THE PROPERTY OF THOGUS PRODUCTS COMPANY AND HAVE BEEN ISSUED WITH THE UNDERSTANDING THAT ALL RIGHTS ARE RESERVED. THE REPRODUCTION OR TRANSMISSION OF THIS INFORMATION FOR OTHERS AND WILL BE RETURNED UPON REQUEST.

UNLESS OTHERWISE SPECIFIED DIMENSIONS ARE IN INCHES		Part Name:	
DECIMAL FRACTIONS	1/16	3/4 BARB X 3/4 BARB CONNECTOR	
XX +/- .05	1/4		
XXX +/- .015			
DRAWN	DATE	Part Number:	
NM	11/97	THOGUS PRODUCTS	
MATERIAL		33597 PIN DAK PARKWAY	
POLYPROPYLENE		AYDON LAKE OHIO 44012	
SCALE 1:1	SHEET 1	OF 1	REV A

COLOR: BLACK (PPB)  
NATURAL (PPN)