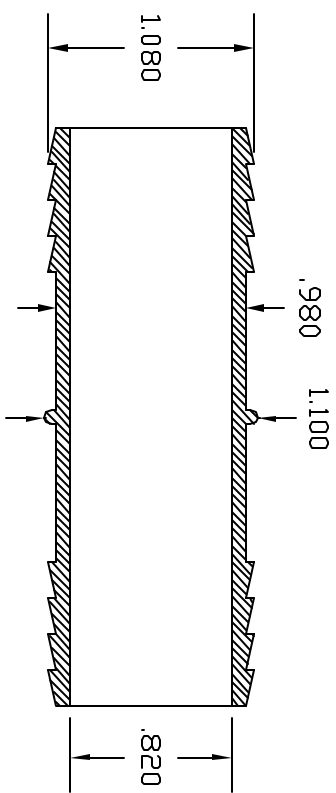
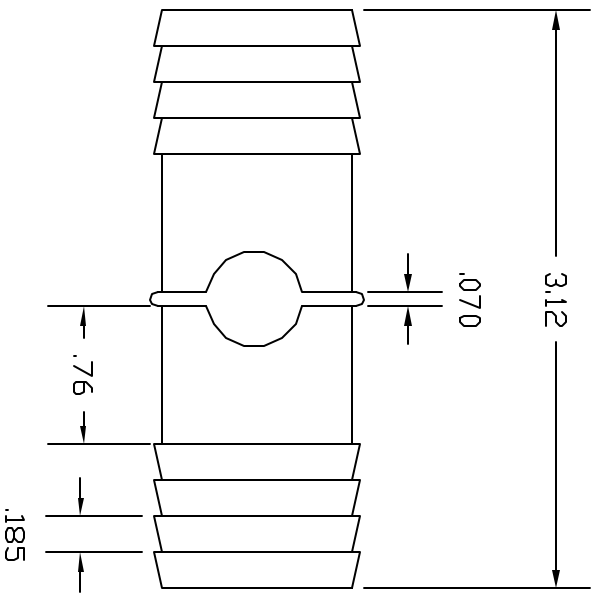


REVISIONS			
REV	DESCRIPTION	DATE	APPROVED
B	GATE PAD ADDED	9/98	9/98
C	UPDATE DWG	9/07	9/07



CONTROLLED DOCUMENT
ONLY IF IN RED

CONFIDENTIAL
THIS PRINT AND THE SPECIFICATIONS ARE THE PROPERTY OF THOGUS PRODUCTS COMPANY AND HAVE BEEN ISSUED WITH THE UNDERSTANDING THAT REVEALING THE DESIGN TO THE MANUFACTURE FOR OTHERS AND WILL BE RETURNED UPON REQUEST.

UNLESS OTHERWISE SPECIFIED DIMENSIONS ARE IN INCHES		TOLERANCES	
XX	+/- .05	YY	+/- .05
XXX	+/- .015		
DRAWN	NM	DATE	8/98
CHECKED			
MATERIAL	NYLON		
Part Name: 1 BARB X 1 BARB CONNECTOR		Part Number: TC71616/N	
THOGUS PRODUCTS 33490 PIN DAK PARKWAY AVON LAKE OHIO 44012		SHEET 1 of 1	
		REV C	