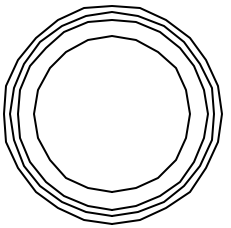
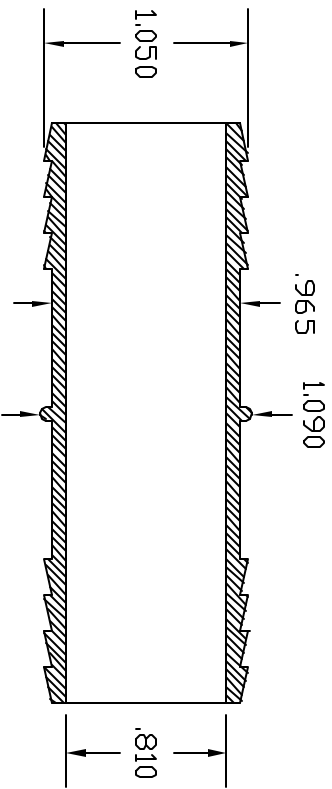
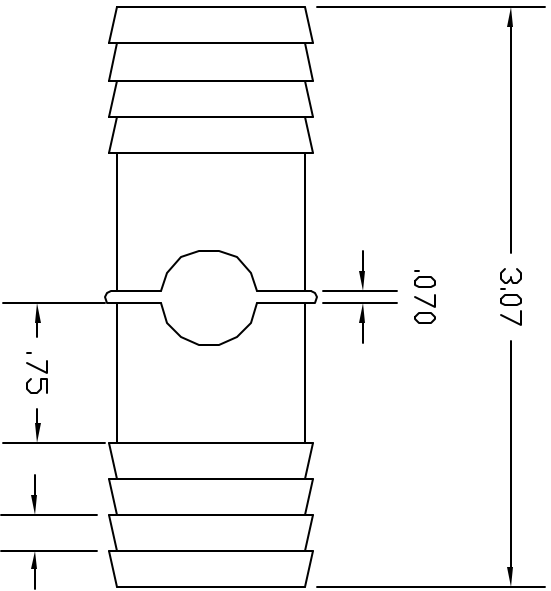


REVISIONS				
ZINC	REV	DESCRIPTION	DATE	APPROVED
	B	GATE PAD ADDED	9/98	9/98



CONTROLLED DOCUMENT  
ONLY IF IN RED

THIS PRINT AND THE SPECIFICATIONS ARE THE PROPERTY OF THOGUS PRODUCTS COMPANY AND HAVE BEEN ISSUED WITH THE UNDERSTANDING THAT ALL RIGHTS ARE RESERVED. THE USER SHALL INDEMNIFY AND HOLD THE MANUFACTURER HARMLESS FOR OTHERS AND WILL BE RETURNED UPON REQUEST.

UNLESS OTHERWISE SPECIFIED DIMENSIONS ARE IN INCHES	
TOLERANCES UNLESS OTHERWISE SPECIFIED	
XX +/- .05	YY .05
XXX +/- .015	ZZ .015
DRAWN	DATE
NM	2/98
CHECKED	
MATERIAL	
POLYPROPYLENE	

Part Name:		Part Number:	
1 BARB X 1 BARB CONNECTOR		TC71616/PP	
THOGUS PRODUCTS		33490 PIN DAK PARKWAY AVON LAKE OHIO 44012	
SCALE	1:1	SHEET	1 of 1
REV	B	REV	B

COLOR: BLACK (PPB)

NATURAL (PPN)

FORM 1000-100-01 (REV. 10/97) © 1998 THOGUS PRODUCTS COMPANY