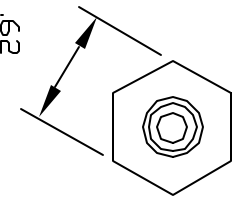
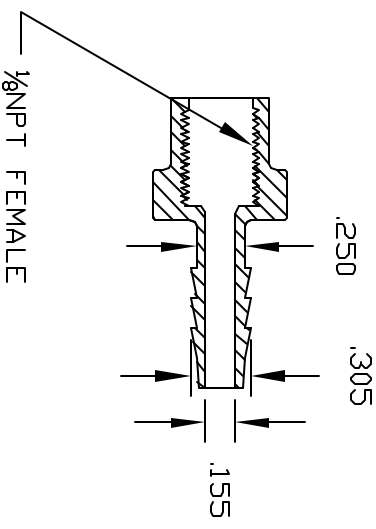
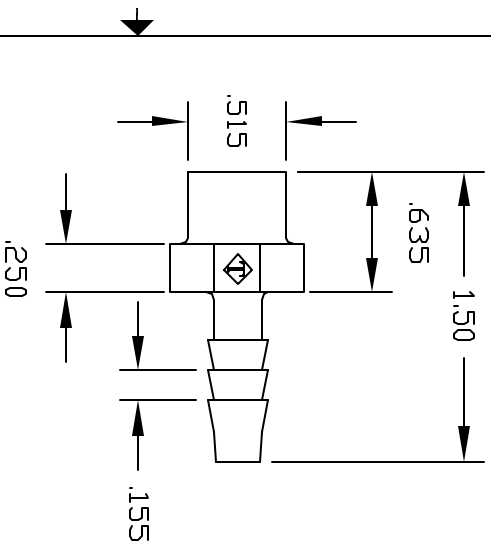


REVISIONS			
REV	DESCRIPTION	DATE	APPROVED
A	DRAWN	12/02	



CONTROLLED DOCUMENT
ONLY IF IN RED

CONFIDENTIAL
THIS PRINT AND THE SPECIFICATIONS ARE THE PROPERTY OF THOGUS PRODUCTS COMPANY AND HAVE BEEN ISSUED WITH THE UNDERSTANDING THAT IT IS TO BE KEPT CONFIDENTIAL AND NOT REPRODUCED OR COPIED FOR OTHERS AND WILL BE RETURNED UPON REQUEST.

UNLESS OTHERWISE SPECIFIED DIMENSIONS ARE IN INCHES		Part Name	1/8 NPT FEMALE X 1/4 BARB FEMALE ADAPTER
TOLERANCES UNLESS OTHERWISE SPECIFIED		Part Number	TAF1024/PPB
XX	+/- .05	Scale	1/1
XXX	+/- .015	Material	POLYPROPYLENE
DRWN	BM	Finish	TAF1024PPB
THOGUS PRODUCTS		33597 PIN DAK PARKWAY	
		AVON LAKE OHIO 44012	
		SHEET 1	of 1

© 2002 Thogus Products Company. All Rights Reserved. This drawing is the property of Thogus Products Company and is not to be reproduced or used in any manner without the written consent of Thogus Products Company.