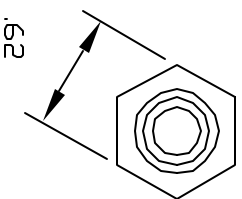
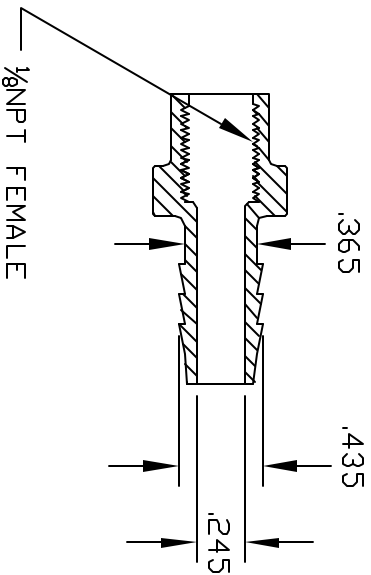
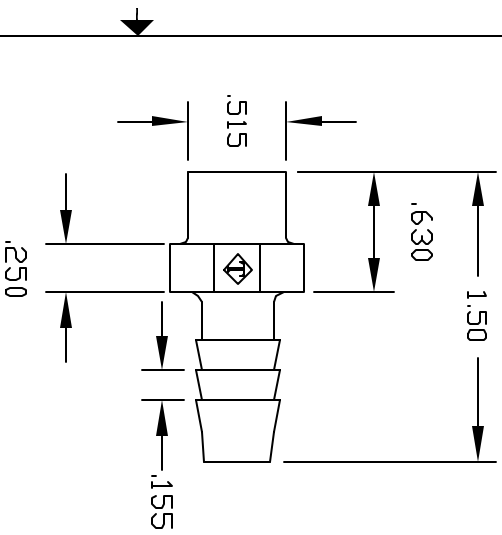


REVISIONS			
REV	DESCRIPTION	DATE	APPROVED
A	DRAWN	12/02	



CONTROLLED DOCUMENT
ONLY IF IN RED

CONFIDENTIAL
THIS PRINT AND THE SPECIFICATIONS ARE THE PROPERTY OF THOGUS PRODUCTS COMPANY AND HAVE BEEN ISSUED WITH THE UNDERSTANDING THAT THEY ARE TO BE USED FOR THE MANUFACTURE OF OTHERS AND WILL BE RETURNED UPON REQUEST.

UNLESS OTHERWISE SPECIFIED DIMENSIONS ARE IN INCHES
TOLERANCES UNLESS SHOWN OTHERWISE
XX +/- .05
YY - .05
XXX +/- .015

DRAWN: BM
MATERIAL: POLYPROPYLENE

Part Name: 1/8 NPT FEMALE X 3/8 BARB FEMALE ADAPTER
Part Number: TAF1026/PPB
SCALE: 1/1 SHEET 1 of 1

THOGUS PRODUCTS
33597 PIN DAK PARKWAY
AVON LAKE OHIO 44012

© 2002 Thogus Products Company, Inc. All Rights Reserved. This document is the property of Thogus Products Company, Inc. and is not to be distributed outside of the company without the express written consent of Thogus Products Company, Inc.