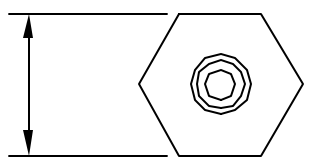
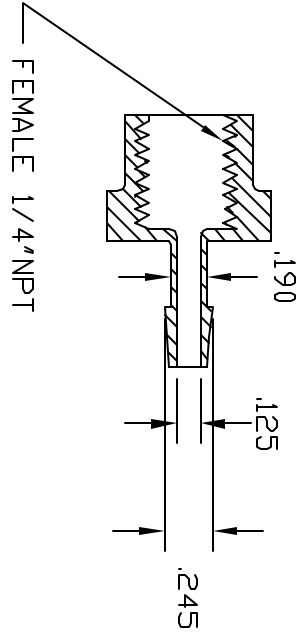
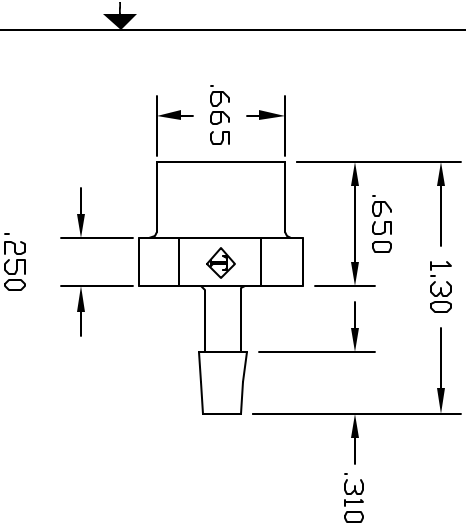


REVISIONS			
REV	DESCRIPTION	DATE	APPROVED
A	DRAWN	07/03	07/03



CONTROLLED DOCUMENT
ONLY IF IN RED

CONFIDENTIAL
THIS PRINT AND THE SPECIFICATIONS ARE THE PROPERTY OF THOGUS PRODUCTS COMPANY AND HAVE BEEN ISSUED WITH THE UNDERSTANDING THAT IT IS TO BE KEPT FOR THE MANUFACTURE OF OTHERS AND WILL BE RETURNED UPON REQUEST.

UNLESS OTHERWISE SPECIFIED DIMENSIONS ARE IN INCHES TOLERANCES XX +/- .05 XXX +/- .015	DRAWN BM	THIS PRINT AND THE SPECIFICATIONS ARE THE PROPERTY OF THOGUS PRODUCTS COMPANY AND HAVE BEEN ISSUED WITH THE UNDERSTANDING THAT IT IS TO BE KEPT FOR THE MANUFACTURE OF OTHERS AND WILL BE RETURNED UPON REQUEST.
Part Name 1/4 NPT FEMALE X 3/16 BARB FEMALE ADAPTER	Part Number TAF1043/PPB	Scale 1:1
THOGUS PRODUCTS 33597 PIN DAK PARKWAY AVON LAKE OHIO 44012	Material POLYPROPYLENE	Sheet 1 of 1