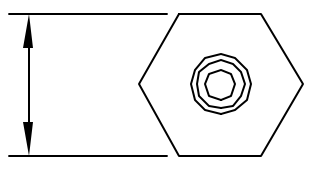
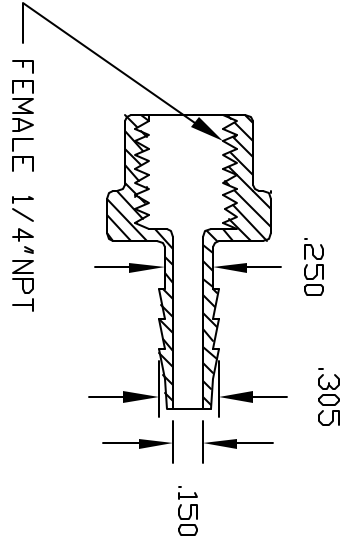
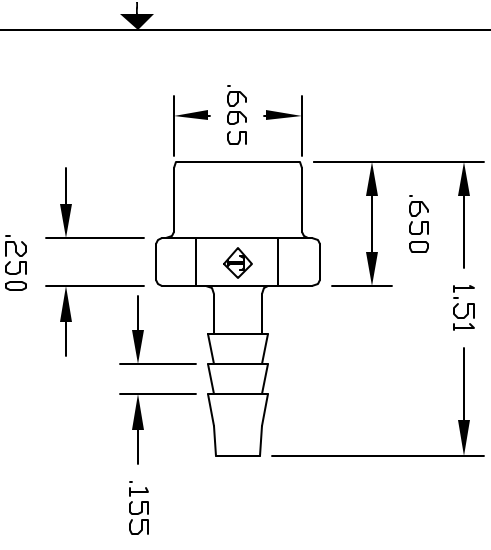


REVISIONS			
REV	DESCRIPTION	DATE	APPROVED
A	REDRAWN & RELEASED	2/98	2/98
B	MODIFY BARBS/THREADS	10/01	10/01



CONTROLLED DOCUMENT
ONLY IF IN RED

CONFIDENTIAL
THIS PRINT AND THE SPECIFICATIONS ARE THE PROPERTY OF THOGUS PRODUCTS COMPANY AND HAVE BEEN ISSUED WITH THE UNDERSTANDING THAT IT IS TO BE KEPT FOR THE MANUFACTURE FOR OTHERS AND WILL BE RETURNED UPON REQUEST.

UNLESS OTHERWISE SPECIFIED DIMENSIONS ARE IN INCHES DECIMAL FRACTIONS XX +/- .05 XXX +/- .015	Part Name: 1/4 NPT FEMALE X 1/4 BARB FEMALE ADAPTER
DRAWN BM	THOGUS PRODUCTS 33597 PIN DAK PARKWAY AVON LAKE OHIO 44012
FINISHED TAF1044PPB	Part Number TAF1044/PPB
MATERIAL POLYPROPYLENE	SCALE 1/1
	SHEET 1 of 1

THOGUS PRODUCTS COMPANY IS AN ISO 9001 REGISTERED COMPANY.