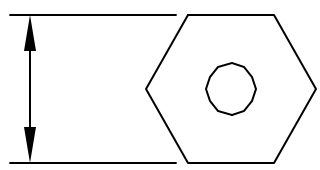
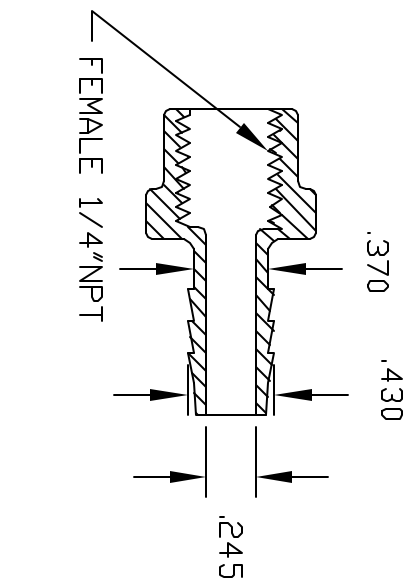
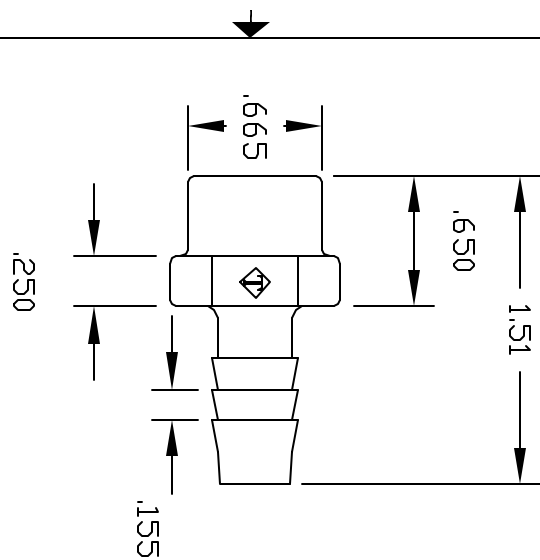


REVISIONS			
REV	DESCRIPTION	DATE	APPROVED
A	REDRAWN & RELEASED	2/98	2/98
B	MODIFY BARBS/THREADS	10/01	10/01



CONTROLLED DOCUMENT  
ONLY IF IN RED

**CONFORMANCE**  
THIS PRINT AND THE SPECIFICATIONS  
HEREIN ARE THE PROPERTY OF THOGUS  
PRODUCTS COMPANY AND HAVE BEEN  
ISSUED WITH THE UNDERSTANDING THAT  
IT WILL NOT BE REPRODUCED,  
REVEALED TO OR USED FOR THE  
MANUFACTURE FOR OTHERS AND WILL  
BE RETURNED UPON REQUEST.

UNLESS OTHERWISE SPECIFIED DIMENSIONS ARE IN INCHES		Part Name 1/4NPT FEMALE X 3/8 BARB FEMALE ADAPTER
DECIMALS XX +/- .005	TOLERANCES ANGULAR +/- .015	33597 PIN DAK PARKWAY AVON LAKE OHIO 44012
DRAWN BM	FINISH TAF1046PPB	Part Number TAF1046/PPB
MATERIAL POLYPROPYLENE	SCALE 1:1	SHEET 1 OF 1