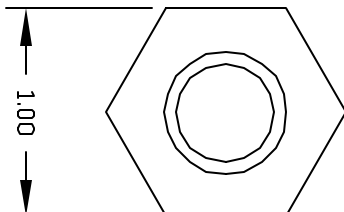
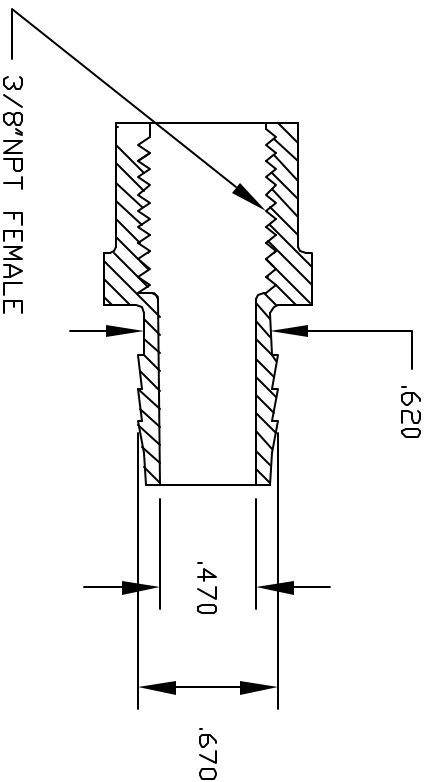
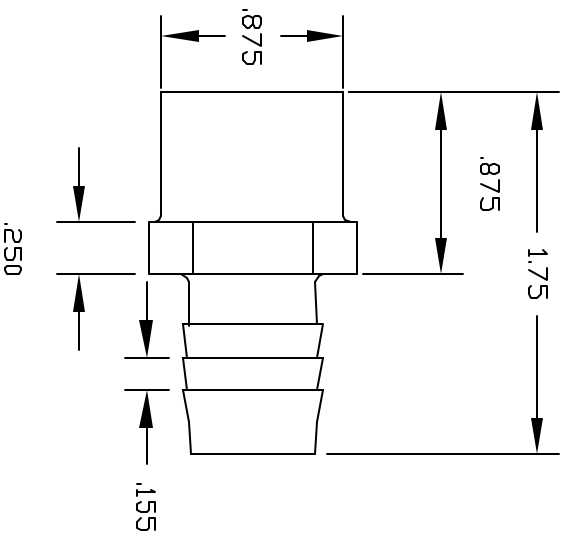


REVISIONS			
REV	DESCRIPTION	DATE	APPROVED
A	DRAWN	03/03	03/03
B	UPDATE DWG	9/07	9/07



CONTROLLED DOCUMENT  
ONLY IF IN RED

**COMMERCIAL**  
THIS PRINT AND THE SPECIFICATIONS  
AND DIMENSIONS ARE THE PROPERTY OF  
THOGUS PRODUCTS COMPANY AND HAVE BEEN  
ISSUED WITH THE UNDERSTANDING THAT  
IT WILL NOT BE REPRODUCED,  
REVEALED TO OR USED FOR THE  
MANUFACTURE FOR OTHERS AND WILL  
BE RETURNED UPON REQUEST.

UNLESS OTHERWISE SPECIFIED DIMENSIONS ARE IN INCHES DECIMALS FRACTIONS XXX 1/16 XXX 1/32	DRAWN BM	FLANGE TAF10610N	MATERIAL NYLON
---	-------------	---------------------	-------------------

Part Name 3/8NPT FEMALE X 5/8 BARB FEMALE ADAPTER	Part Number TAF10610/N	THOGUS PRODUCTS	33490 PIN OAK PARKWAY AVON LAKE OHIO 44012
SHEET 1 OF 1			