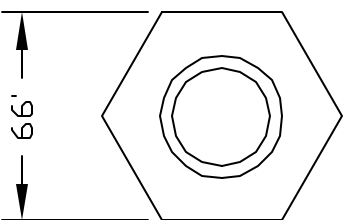
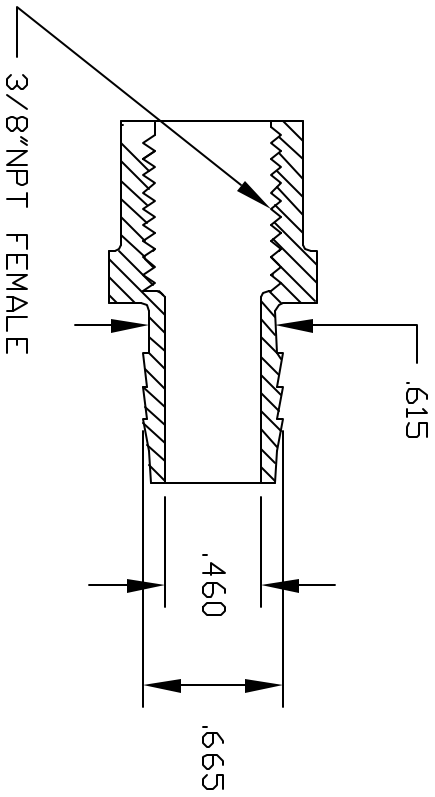
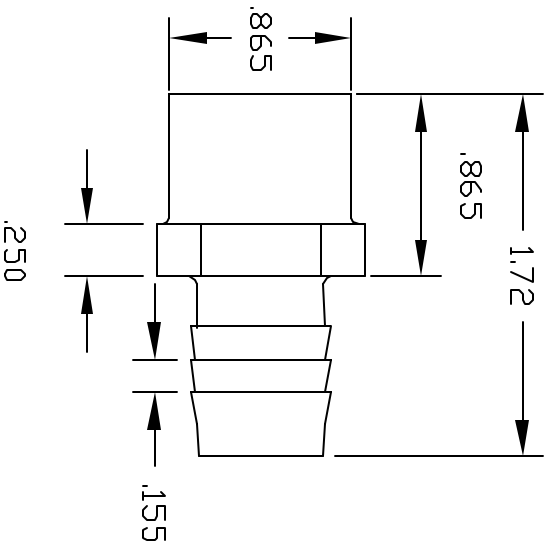


REVISIONS			
REV	DESCRIPTION	DATE	APPROVED
A	DRAWN	03/03	03/03



CONTROLLED DOCUMENT
ONLY IF IN RED

CONFIDENTIAL
THIS PRINT AND THE SPECIFICATIONS ARE THE PROPERTY OF THOGUS PRODUCTS COMPANY AND HAVE BEEN ISSUED WITH THE UNDERSTANDING THAT IT WILL NOT BE REPRODUCED, REVEALED OR OR USED FOR THE PURPOSES OF THE ORIGINAL DESIGN. IT WILL BE RETURNED UPON REQUEST.

UNLESS OTHERWISE SPECIFIED DIMENSIONS ARE IN INCHES DECIMALS .XX +/- .005 .XXX +/- .015	DRAWN BM
FILNAME TAF10610.PPB	MATERIAL POLYPROPYLENE

Part Name 3/8NPT FEMALE X 5/8 BARB FEMALE ADAPTER	Part Number TAF10610/PPB	SCALE 1:1	SHEET 1	OF 1
THOGUS PRODUCTS		33490 PIN OAK PARKWAY AVON LAKE OHIO 44012		