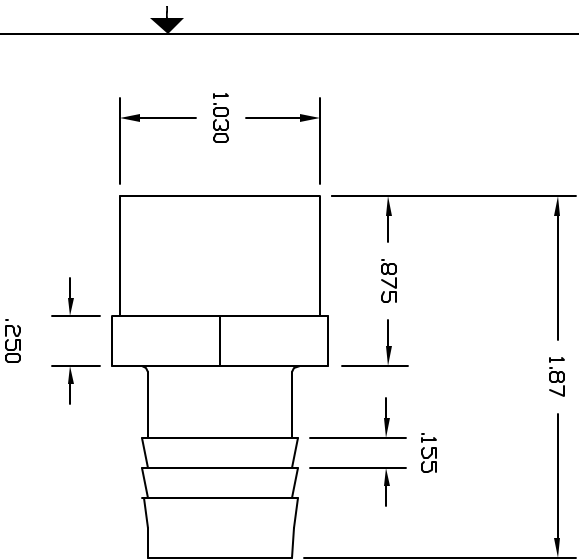
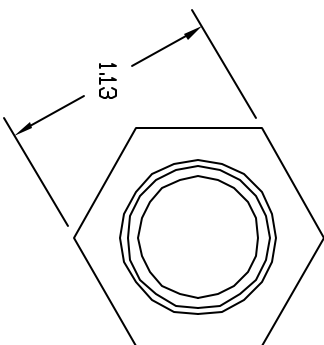
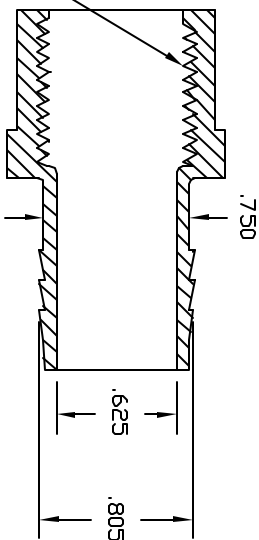


REVISIONS			
REV	DESCRIPTION	DATE	APPROVED
A	DRAWN & RELEASED	07/03	07/03
B	UPDATE DWG	9/07	9/07



1/2 NPT FEMALE



CONTROLLED DOCUMENT
ONLY IF IN RED

CONFIDENTIAL
THIS PRINT AND THE SPECIFICATIONS ARE THE PROPERTY OF THOGUS PRODUCTS COMPANY AND HAVE BEEN ISSUED WITH THE UNDERSTANDING THAT REVELATION OF THE DESIGN OR THE MANUFACTURE FOR OTHERS AND WILL BE RETURNED UPON REQUEST.

UNLESS OTHERWISE SPECIFIED DIMENSIONS ARE IN INCHES		TOLERANCES	
XX	+/- .05	XX	+/- .05
XXX	+/- .015		
DRAWN	BM	DATE	4/98
DESIGNED BY	TAF10812N		
MATERIAL	NYLON		
PART NAME: 1/2NPT FEMALE X 3/4 BARB FEMALE ADAPTER		Part Number: TAF10812/N	
THOGUS PRODUCTS		33490 PIN DAK PARKWAY AYDON LAKE OHIO 44012	
REV	B	SHEET	1 of 1