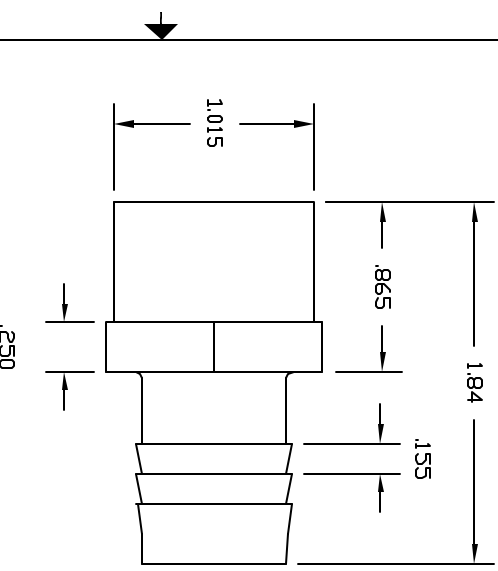
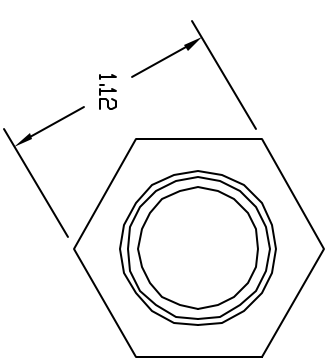
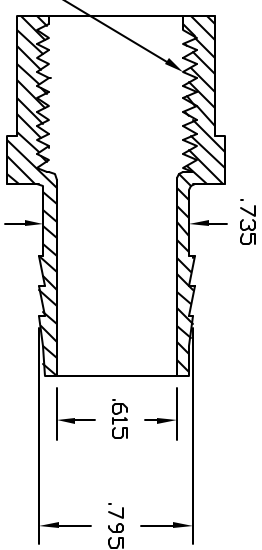


REVISIONS			
REV	DESCRIPTION	DATE	APPROVED
A	DRAWN & RELEASED	07/03	07/03



1/2 FEMALE NPT



CONTROLLED DOCUMENT  
ONLY IF IN RED

**CONFIDENTIAL**  
THIS PRINT AND THE SPECIFICATIONS ARE THE PROPERTY OF THOGUS PRODUCTS COMPANY AND HAVE BEEN ISSUED WITH THE UNDERSTANDING THAT IT IS TO BE USED FOR THE MANUFACTURE OF THE PARTS AND WILL BE RETURNED UPON REQUEST.

UNLESS OTHERWISE SPECIFIED DIMENSIONS ARE IN INCHES	DESIGN AND TOLERANCES UNLESS OTHERWISE SPECIFIED
DRAWN	DATE
BM	4/98
REWORKED	DATE
TAF10812PPB	4/98
MATERIAL	PART NUMBER
POLYPROPYLENE	TAF10812/PPB

PART NAME:	1/2NPT FEMALE X 3/4 BARB FEMALE ADAPTER
THOGUS PRODUCTS	33597 PIN DAK PARKWAY AYDON LAKE OHIO 44012
SCALE	1:1
SHEET	1 of 1

THE INFORMATION CONTAINED HEREIN IS UNCLASSIFIED EXCEPT WHERE SHOWN OTHERWISE