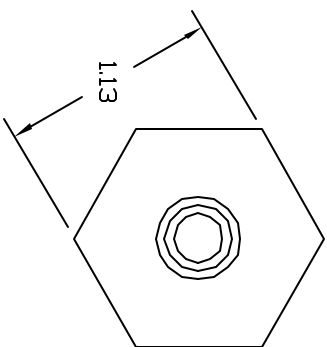
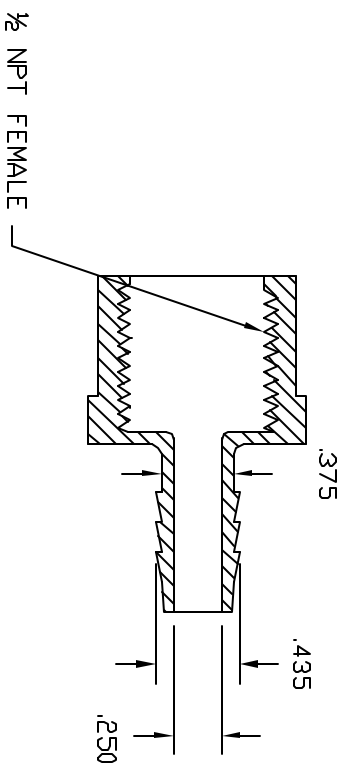
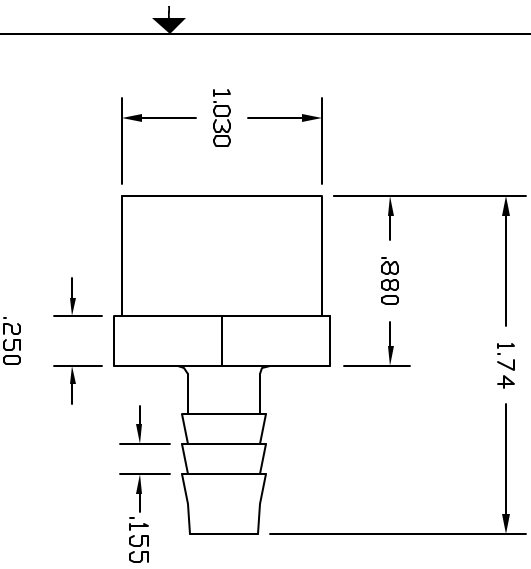


REVISIONS			
REV	DESCRIPTION	DATE	APPROVED
A	DRAWN & RELEASED	03/03	03/03
B	UPDATE DWG	9/07	9/07



CONTROLLED DOCUMENT  
ONLY IF IN RED

**CONFIDENTIAL**  
THIS PRINT AND THE SPECIFICATIONS ARE THE PROPERTY OF THOGUS PRODUCTS COMPANY AND HAVE BEEN LOANED TO THE USER FOR THE MANUFACTURE OF OTHERS AND WILL BE RETURNED UPON REQUEST.

UNLESS OTHERWISE SPECIFIED DIMENSIONS ARE IN INCHES		TOLERANCES	
XX	+/-.05	XX	+/-.05
XXX	+/-.015		
DRAWN	BM	DATE	4/98
DESIGNED	TAF1086N		
MATERIAL	NYLON		
PART NAME:		PART NUMBER	
1/2NPT FEMALE X 3/8 BARB FEMALE ADAPTER		TAF1086/N	
THOGUS PRODUCTS		33490 PIN DAK PARKWAY AYDON LAKE OHIO 44012	
REV	B	SHEET	1 of 1