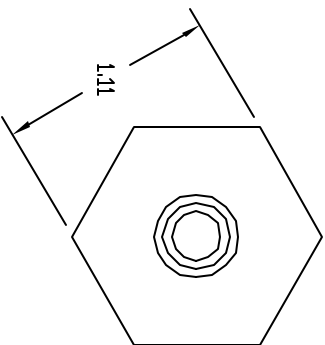
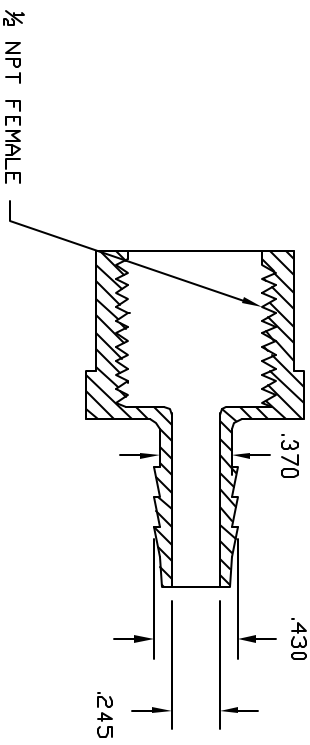
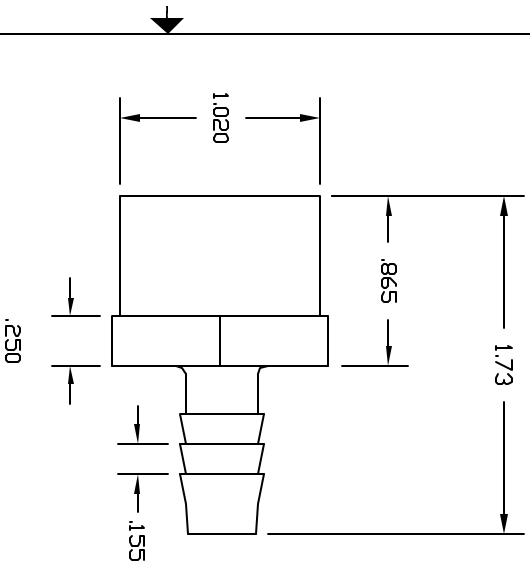


| REVISIONS | | | |
|-----------|------------------|-------|----------|
| REV | DESCRIPTION | DATE | APPROVED |
| A | DRAWN & RELEASED | 03/03 | 03/03 |



CONTROLLED DOCUMENT
ONLY IF IN RED

CONFIDENTIAL
THIS PRINT AND THE SPECIFICATIONS ARE THE PROPERTY OF THOGUS PRODUCTS COMPANY AND HAVE BEEN ISSUED WITH THE UNDERSTANDING THAT THE RECIPIENT WILL NOT REPRODUCE, REVEAL OR USE THE INFORMATION FOR OTHERS AND WILL BE RETURNED UPON REQUEST.

| UNLESS OTHERWISE SPECIFIED DIMENSIONS ARE IN INCHES | | TOLERANCES | |
|---|----------|------------|----------|
| XX | +/- .05 | XX | +/- .05 |
| XXX | +/- .015 | XXX | +/- .015 |

| | | |
|---------------|-------|---|
| DRAWN | DATE | PART NAME: |
| BM | 4/79B | 1/2NPT FEMALE X 3/8 BARB FEMALE ADAPTER |
| DESIGNED BY | | |
| TAF1086PPB | | |
| MATERIAL | | |
| POLYPROPYLENE | | |
| PART NUMBER | SCALE | |
| TAF1086/PPB | 1:1 | |
| | SHEET | OF |
| | 1 | 1 |

THOGUS PRODUCTS
33490 PIN DAK PARKWAY
AYDON LAKE OHIO 44012

THE INFORMATION CONTAINED HEREIN IS UNCLASSIFIED