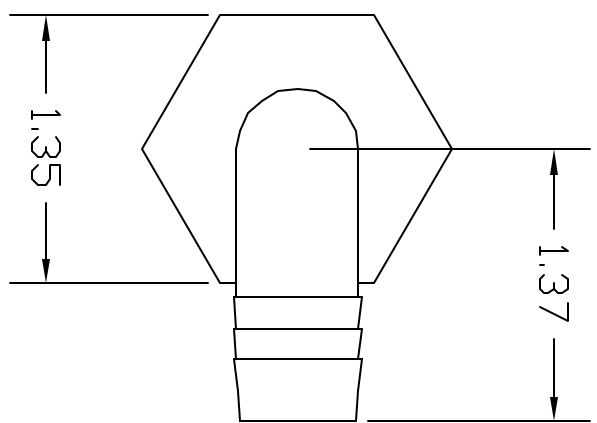
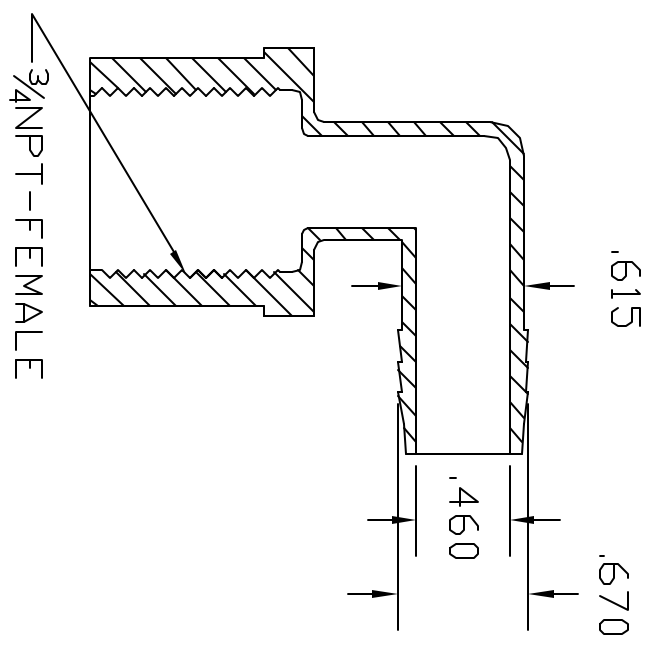
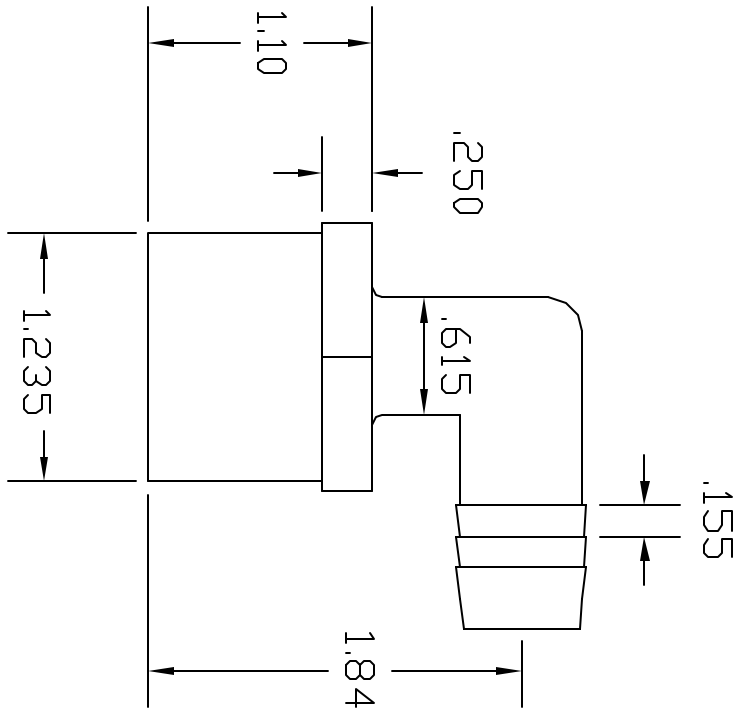


REV	DESCRIPTION	DATE	APPROVED
A	DRAWN	1/30/06	1/30/06



UNLESS OTHERWISE SPECIFIED  
DIMENSIONS ARE IN INCHES  
TOLERANCES  
DECIMALS  
XX +/- .05  
XXX +/- .015  
ANGULAR  
+/- .05

**CONFIDENTIAL**  
THIS PRINT AND THE SPECIFICATIONS  
ARE THE PROPERTY OF THOGUS  
PRODUCTS COMPANY AND HAVE BEEN  
ISSUED WITH THE UNDERSTANDING THAT  
IT WILL NOT BE REPRODUCED,  
REVEALED TO OR USED FOR THE  
MANUFACTURE FOR OTHERS AND WILL  
BE RETURNED UPON REQUEST. ⚡

CONTROLLED DOCUMENT  
ONLY IF IN RED

DRAWN **BM** | DATE 1/06  
Title: TEF201210PPB  
MATERIAL POLYPROPYLENE BLK

PART NAME:  
3/4-14 FEMALE NPT X 5/8 HOSE BARB ELBOW  
**THOGUS PRODUCTS**  
33597 PIN OAK PARKWAY  
AVDN LAKE OHIO 44012

PART NUMBER TEF201210/PPB  
SCALE 1:1  
SHEET 1 OF 1  
REV **A**