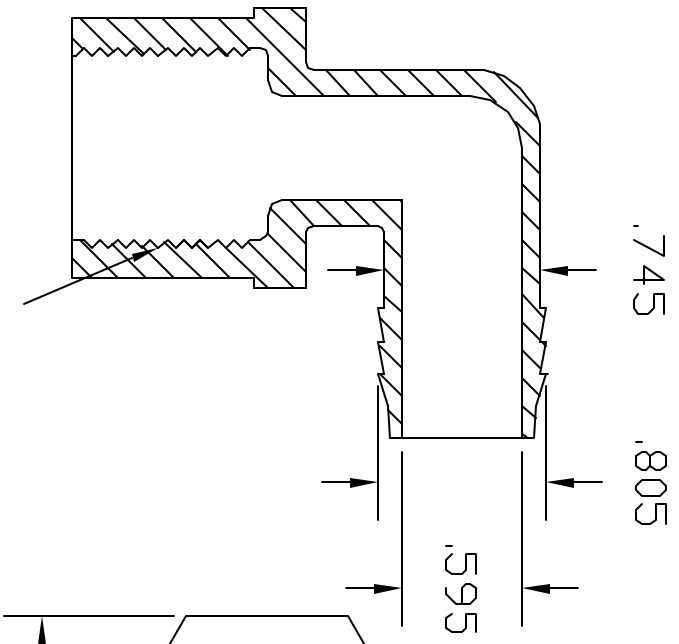
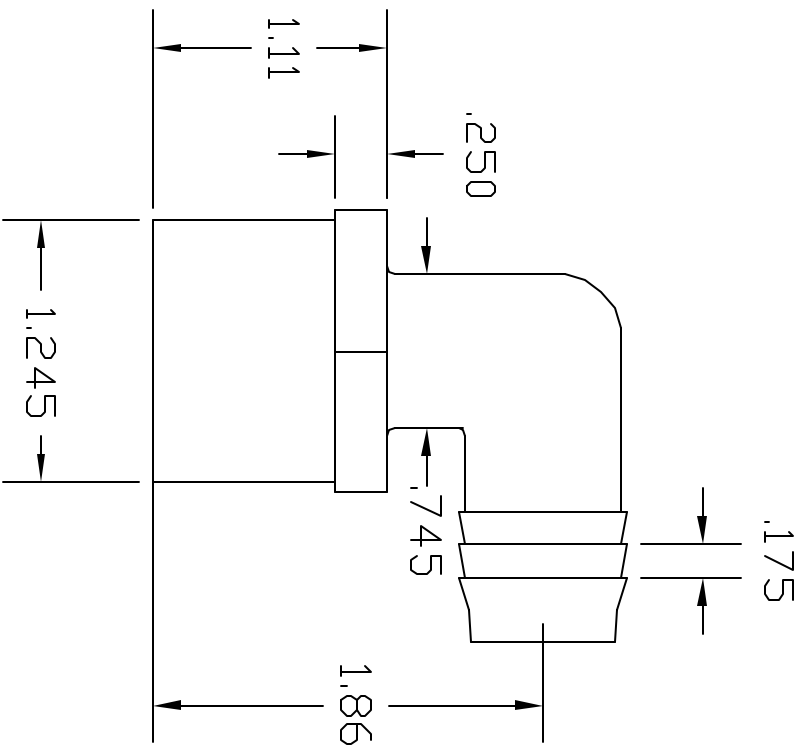
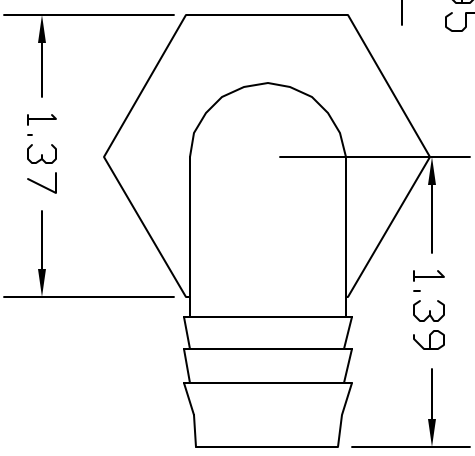


REV	DESCRIPTION	DATE	APPROVED
A	REDRAWN AND RELEASED	1/98	1/98
B	MODIFY BARB & HEX	01/30/06	01/30/06



3/4NPT-FEMALE



CONTROLLED DOCUMENT
ONLY IF IN RED

UNLESS OTHERWISE SPECIFIED
DIMENSIONS ARE IN INCHES
DECIMALS .XX ±.05 ANGULAR
XXX ±.05

CONTRACTOR:	DRAWN	DATE
THIS PRINT AND THE SPECIFICATIONS ARE THE PROPERTY AND HAVE BEEN ISSUED WITH THE UNDERSTANDING THAT IT WILL NOT BE REPRODUCED, REVEALED TO OR USED FOR THE MANUFACTURE FOR OTHERS AND WILL BE RETURNED UPON REQUEST.	BM	1/12/06
	MATERIAL	PART NUMBER
	NYLON	TEF201212/N

PART NAME:		SCALE	SHEET	OF
3/4-1/4NPT FEMALE X 3/4 BARB FEMALE ELBOW		1:1	1	1
THOGUS PRODUCTS		REV B		
33490 PIN DAK PARKWAY AVON LAKE OHIO 44012				