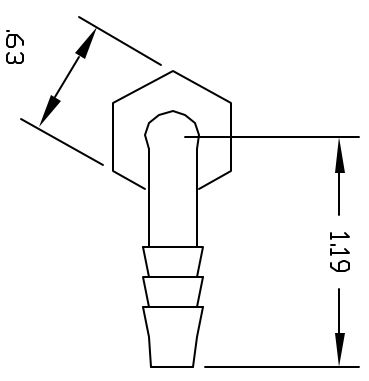
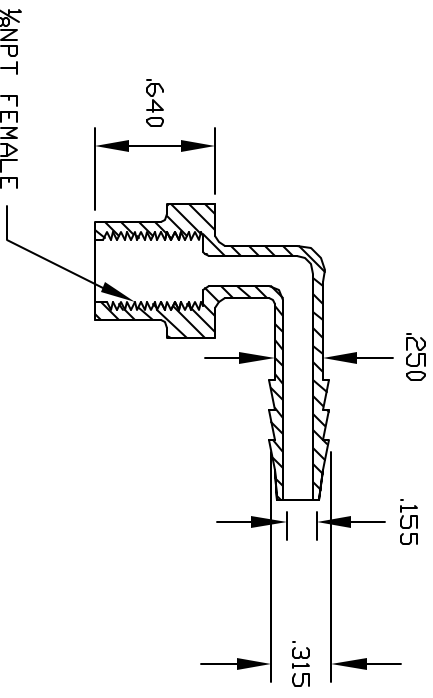
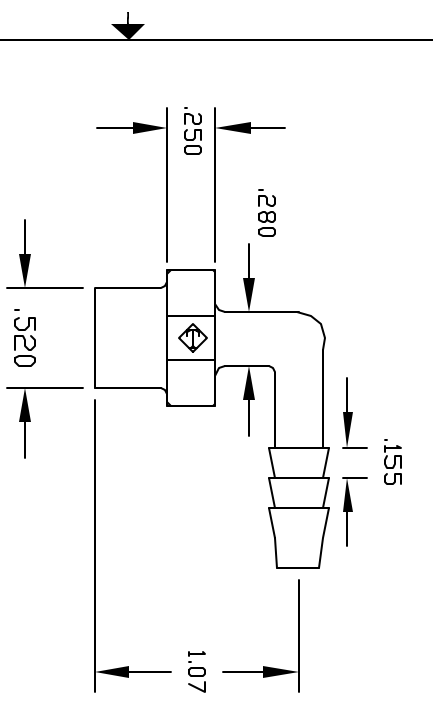


REVISIONS			
REV	DESCRIPTION	DATE	APPROVED
A	DRAWN	12/02	
B	UPDATE DWG	9/07	9/07



CONFIDENTIAL
 THIS PRINT AND THE SPECIFICATIONS ARE THE PROPERTY OF THOGUS PRODUCTS COMPANY AND HAVE BEEN LENT TO THE UNDERSIGNED THAT REVIEWED AND USED FOR THE MANUFACTURE OF OTHERS AND WILL BE RETURNED UPON REQUEST.

UNLESS OTHERWISE SPECIFIED DIMENSIONS ARE IN INCHES		Part Name	
DECIMAL FRACTIONS	1/16	1/8 NPT FEMALE X 1/4 BARB	FEMALE ELBOW
XX +/- .05	1/32		
XXX +/- .015	1/64		
DRAWN	BM	Part Number	TEF2024/N
DESIGNED	TEF2024N		
MATERIAL	NYLON		
THOGUS PRODUCTS		33490 PIN DAK PARKWAY	
		AVON LAKE OHIO 44012	
REV	B	SHEET	1 of 1

CONTROLLED DOCUMENT
 ONLY IF IN RED