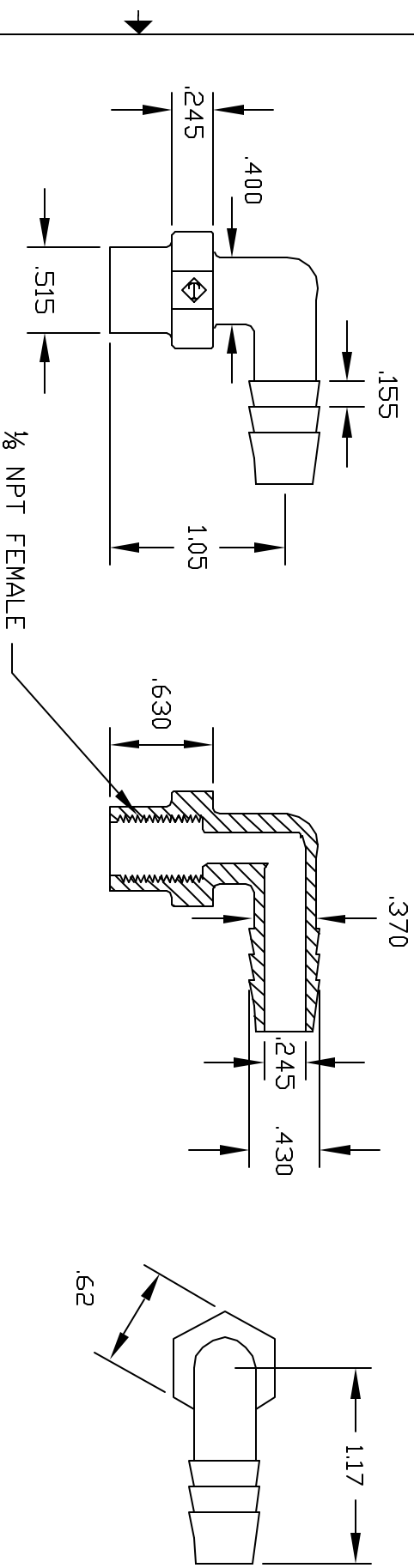


REVISIONS			
REV	DESCRIPTION	DATE	APPROVED
A	DRAWN	12/02	



CONTROLLED DOCUMENT
ONLY IF IN RED

CONFIDENTIAL
THIS PRINT AND THE SPECIFICATIONS ARE THE PROPERTY OF THOGUS PRODUCTS COMPANY AND HAVE BEEN ISSUED WITH THE UNDERSTANDING THAT IT IS NOT TO BE REPRODUCED, COPIED, MANUFACTURED FOR OTHERS AND WILL BE RETURNED UPON REQUEST.

UNLESS OTHERWISE SPECIFIED DIMENSIONS ARE IN INCHES		TOLERANCES UNLESS SHOWN OTHERWISE	
XX	+/- .05	YY	+/- .05
XXX	+/- .015		
DRAWN	BM	Part Name	1/8 NPT FEMALE X 3/8 BARB FEMALE ELBOW
MATERIAL	TEF2026PPB	Part Number	TEF2026/PPB
MATERIAL	POLYPROPYLENE	Scale	1:1
THOGUS PRODUCTS		33597 PIN DAK PARKWAY AVON LAKE OHIO 44012	
REV	A	SHEET	1 of 1

THOGUS PRODUCTS COMPANY, 33597 PIN DAK PARKWAY, AVON LAKE, OHIO 44012, U.S.A.