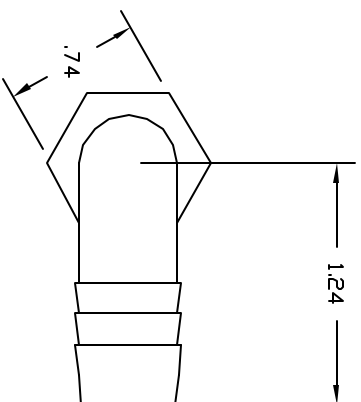
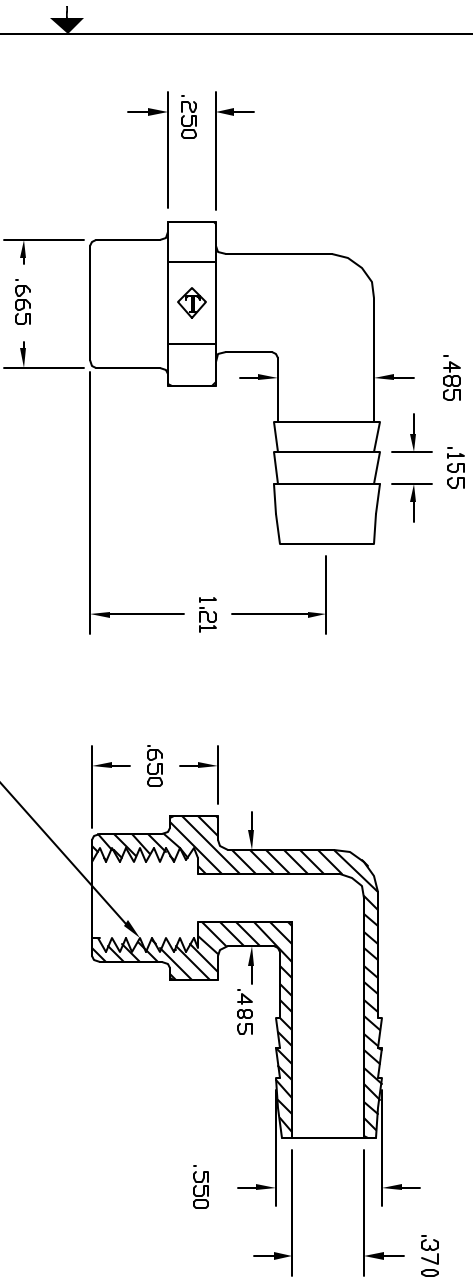


REVISIONS			
REV	DESCRIPTION	DATE	APPROVED
A	DRAWN & RELEASED	04/02/04	04/02



CONTROLLED DOCUMENT
ONLY IF IN RED

CONFIDENTIAL
THIS PRINT AND THE SPECIFICATIONS ARE THE PROPERTY OF THOGUS PRODUCTS COMPANY AND HAVE BEEN ISSUED WITH THE UNDERSTANDING THAT ALL INFORMATION CONTAINED HEREIN IS UNCLASSIFIED AND THE DESIGN AND MANUFACTURE THEREOF WILL BE RETURNED UPON REQUEST.

UNLESS OTHERWISE SPECIFIED DIMENSIONS ARE IN INCHES		Part Name:	1/4NPT FEMALE 1/2 BARB FEMALE ELBOW
TOLERANCES UNLESS SHOWN		Part Number:	TEF2048/PPB
XX	+/- .05	Material:	POLYPROPYLENE
XXX	+/- .015	Finish:	TEF2048PPB
DRAWN:	BM	Scale:	1:1
THOGUS PRODUCTS		33490 PIN DAK PARKWAY	AVON LAKE OHIO 44012
REV	A	SHEET	1 of 1

THOGUS PRODUCTS COMPANY IS AN EQUAL OPPORTUNITY EMPLOYER. ALL RIGHTS RESERVED.