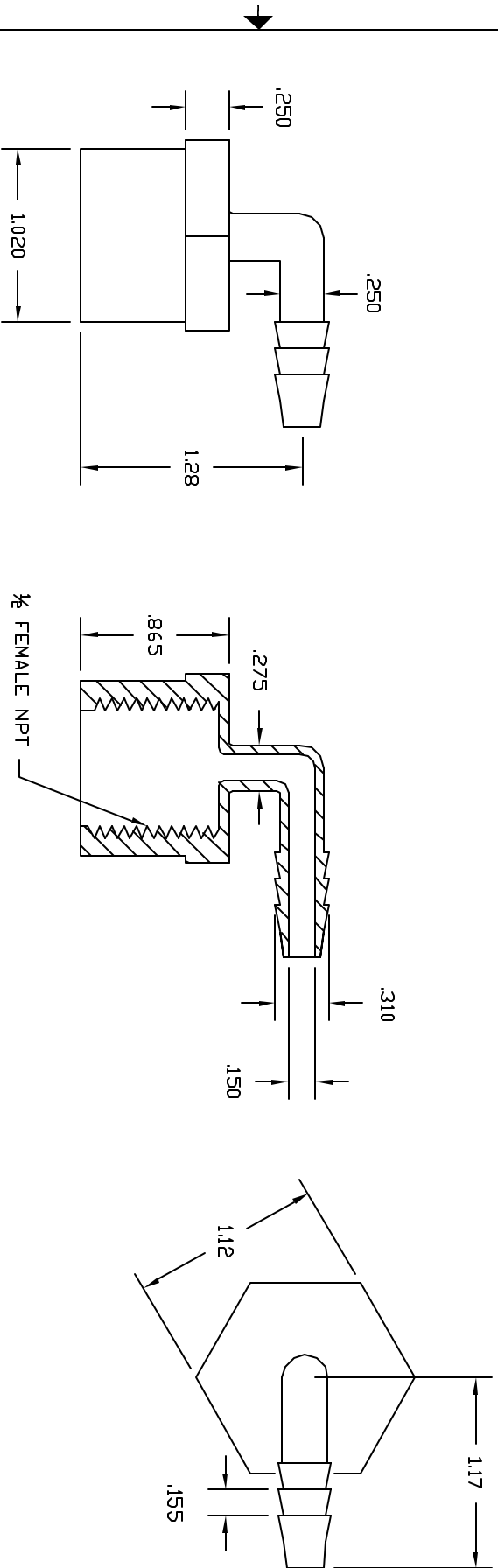


REVISIONS			
REV	DESCRIPTION	DATE	APPROVED
A	DRAWN	9/03	



CONTROLLED DOCUMENT
ONLY IF IN RED

CONDONANTIAL
THIS PRINT AND THE SPECIFICATIONS ARE THE PROPERTY OF THOGUS PRODUCTS COMPANY AND HAVE BEEN ISSUED WITH THE UNDERSTANDING THAT REVISIONS WILL BE MADE AS NECESSARY AND WILL BE RETURNED UPON REQUEST.

UNLESS OTHERWISE SPECIFIED DIMENSIONS ARE IN INCHES
TOLERANCES
XX +/- .05
XXX +/- .015
DRAWN NM
DATE 4/98
MATERIAL POLYPROPYLENE
TEFF2084/PPB

PART NAME: 1/2NPT FEMALE X 1/4 BARBED FEMALE ELBOW
THOGUS PRODUCTS
33490 PIN DAK PARKWAY
AVON LAKE OHIO 44012
Part Number: TEFF2084/PPB
SCALE 1:1
SHEET 1 of 1
REV A

THE INFORMATION CONTAINED HEREIN IS UNCLASSIFIED