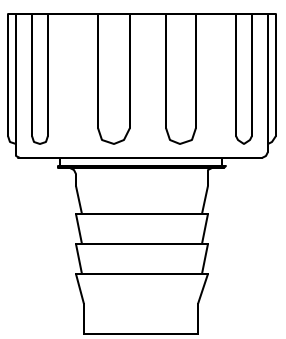
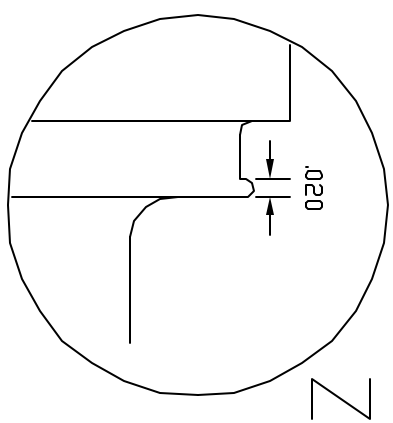
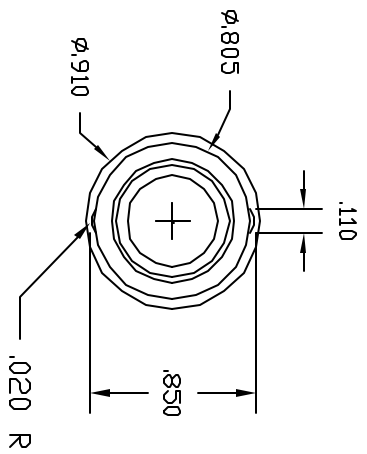
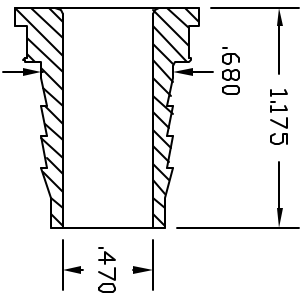
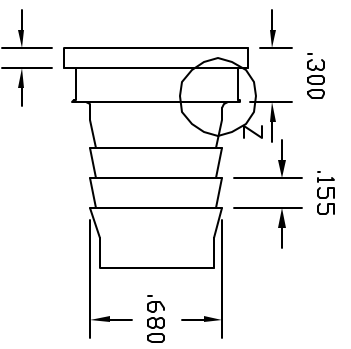


REVISIONS			
REV	DESCRIPTION	DATE	APPROVED
A	DRAWN	05/01	05/01
B	VIEW Z, .178 WAS .085	05/01	05/01
C	UPDATE DWG	9/07	05/01



TYPICAL APPLICATION

CONTROLLED DOCUMENT
ONLY IF IN RED

CONFIDENTIAL
THIS PRINT AND THE SPECIFICATIONS ARE THE PROPERTY OF THOGUS PRODUCTS COMPANY AND HAVE BEEN ISSUED WITH THE UNDERSTANDING THAT IT IS TO BE USED FOR THE MANUFACTURE OF THE PARTS AND WILL BE RETURNED UPON REQUEST.

UNLESS OTHERWISE SPECIFIED DIMENSIONS ARE IN INCHES DECIMALS FRACTIONS XX +/- .05 +/- .05 XXX +/- .015		Part Name 11/16 BARB GARDEN HOSE ADAPTER INSERT
DRAWN BM	THOGUS GHA11N	THOGUS PRODUCTS 33490 PIN DAK PARKWAY AVON LAKE OHIO 44012
MATERIAL NYLON	Part Number GHA11ZN	REV C
SHEET 1 of 1		