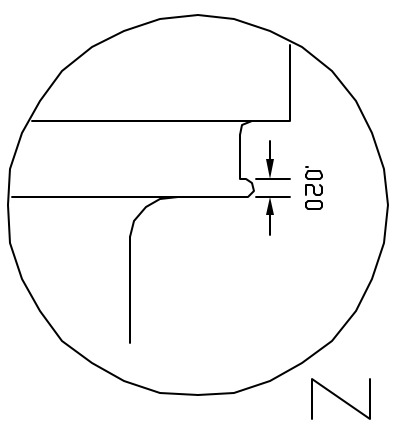
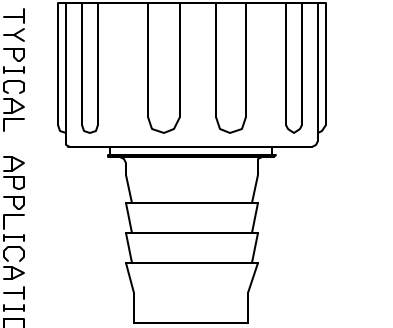
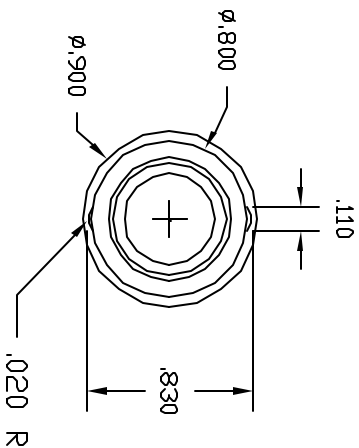
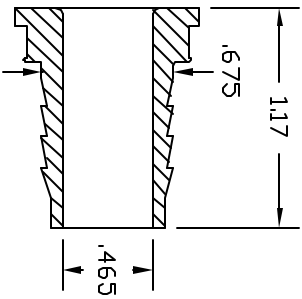
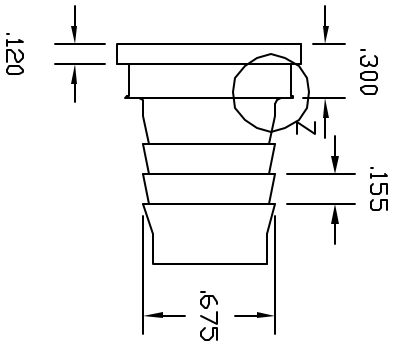


REVISIONS			
REV	DESCRIPTION	DATE	APPROVED
A	DRAWN	05/01	05/01
B	VIEW Z, .178 WAS .085	05/01	05/01
C	UPDATE DWG	9/07	05/01



TYPICAL APPLICATION

CONTROLLED DOCUMENT
ONLY IF IN RED

CONFIDENTIAL
THIS PRINT AND THE SPECIFICATIONS ARE THE PROPERTY OF THOGUS PRODUCTS COMPANY AND HAVE BEEN ISSUED WITH THE UNDERSTANDING THAT REVELATION OF THE DESIGN TO ANY MANUFACTURER FOR OTHERS AND WILL BE RETURNED UPON REQUEST.

UNLESS OTHERWISE SPECIFIED DIMENSIONS ARE IN INCHES DECIMALS FIFTEENTHS XXX +/- .015		Part Name 11/16 BARB GARDEN HOSE ADAPTER INSERT
DRAWN BM	THOGUS PRODUCTS 33490 PIN DAK PARKWAY AVON LAKE OHIO 44012	Part Number GH11/PPB
MATERIAL POLYPROPYLENE BLACK	GH11PPB	REV C
SHEET 1 of 1		