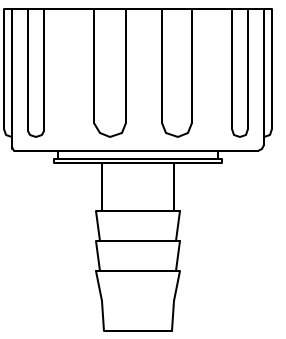
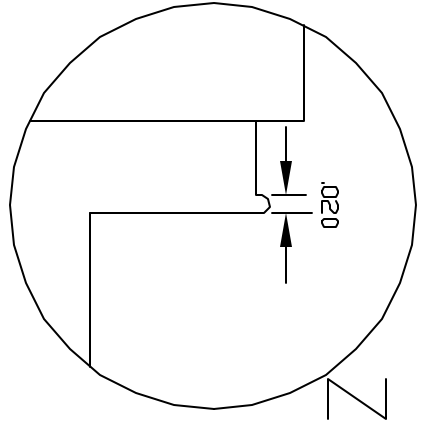
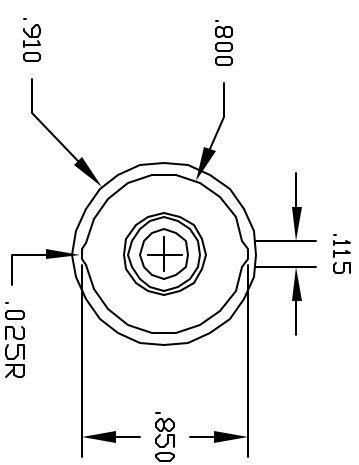
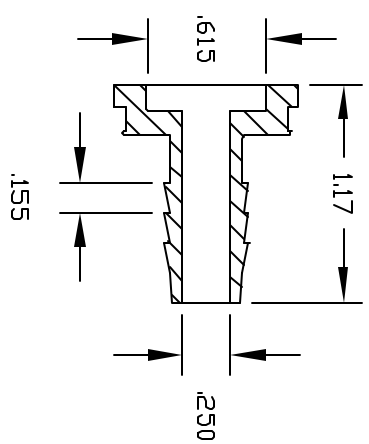
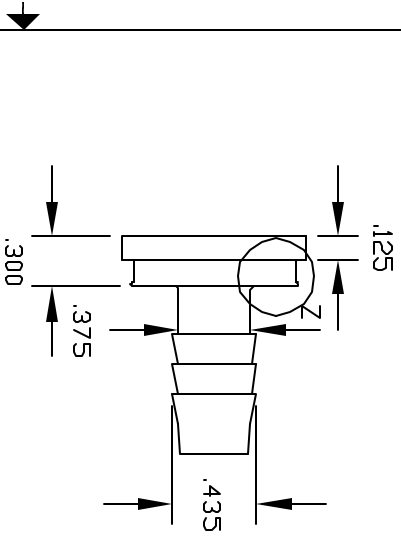


REVISIONS			
REV	DESCRIPTION	DATE	APPROVED
A	DRAWING RELEASE	7/97	7/97
B	MODIFY BARB	10/01	10/01
C	UPDATE DWG	9/07	9/07



TYPICAL APPLICATION

TO MATE WITH THOGUS PRODUCTS PART NUMBER GHN-12/N, FEMALE GARDEN HOSE THREAD (3/4" - 11.5)

CONTROLLED DOCUMENT ONLY IF IN RED

THIS PRINT AND THE SPECIFICATIONS ARE THE PROPERTY OF THOGUS PRODUCTS COMPANY AND HAVE BEEN ISSUED WITH THE UNDERSTANDING THAT THEY ARE TO BE USED FOR THE MANUFACTURE OF OTHERS AND WILL BE RETURNED UPON REQUEST.

UNLESS OTHERWISE SPECIFIED DIMENSIONS ARE IN INCHES		Part Name:	
DECIMALS TO LEAST SIGNIFICANT DIGIT		3/8 BARBED GARDEN HOSE ADAPTER INSERT	
XXX +/- .015		THOGUS PRODUCTS 33597 PIN DAK PARKWAY	
XX +/- .05		AYDN LKAE DHID 44012	
X +/- .15		REV	
DRAWN	NM	DATE	7/97
CHECKED			
MATERIAL	NYLON		
Part Number	GHA6/N	SHEET	1 of 1