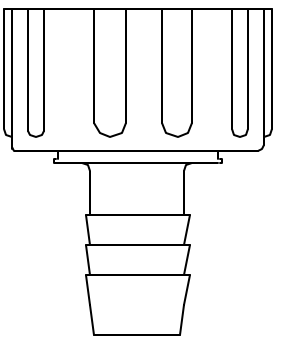
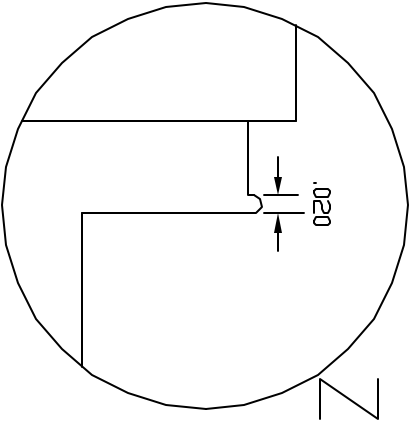
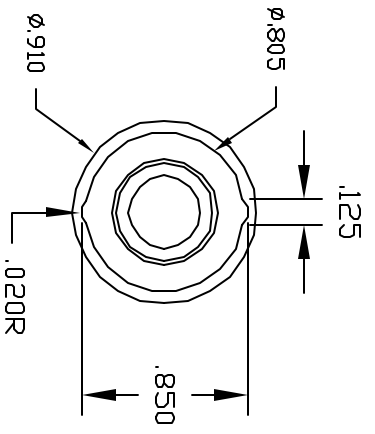
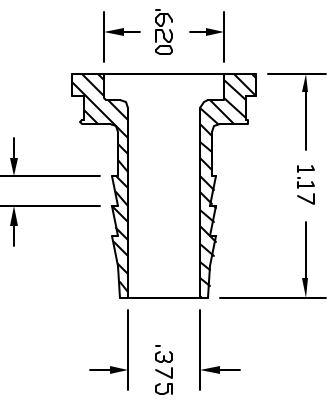
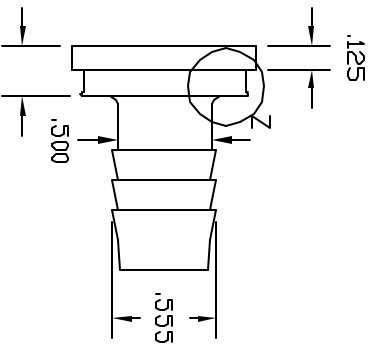


REVISIONS			
REV	DESCRIPTION	DATE	APPROVED
A	DRAWING RELEASE	7/97	7/97
B	MODIFY BARB	12/99	12/99
C	UPDATE DWG	9/07	9/07



TYPICAL APPLICATION

TO MATE WITH THOGUS
 PRODUCTS PART NUMBER
 GHN-12/N, FEMALE
 GARDEN HOSE THREAD
 (3/4" - 11.5)

CONTROLLED DOCUMENT
 ONLY IF IN RED

CONFIDENTIAL
 THIS PRINT AND THE SPECIFICATIONS ARE THE PROPERTY OF THOGUS PRODUCTS COMPANY AND HAVE BEEN ISSUED WITH THE UNDERSTANDING THAT IT IS TO BE KEPT FOR THE USE OF THE MANUFACTURER FOR OTHERS AND WILL BE RETURNED UPON REQUEST.

UNLESS OTHERWISE SPECIFIED DIMENSIONS ARE IN INCHES DECIMALS TO THIRDS PLACE XX +/- .05 XXX +/- .015		Part Name 1/2 BARB GARDEN HOSE ADAPTER INSERT
DRAWN FELDMAN	DATE 7/97	THOGUS 33490 PIN DAK PARKWAY AYDN LAKE OHIO 44012
MATERIAL NYLON	Part Number GHA8/N	REV C
SHEET 1 of 1		