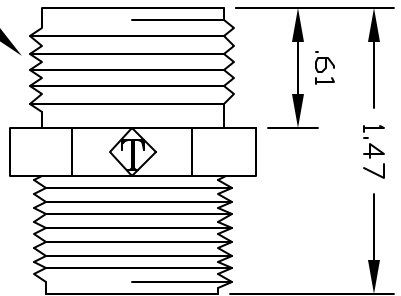
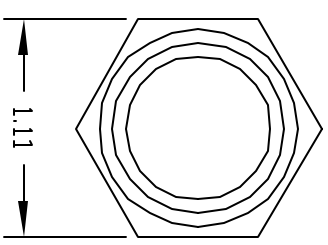
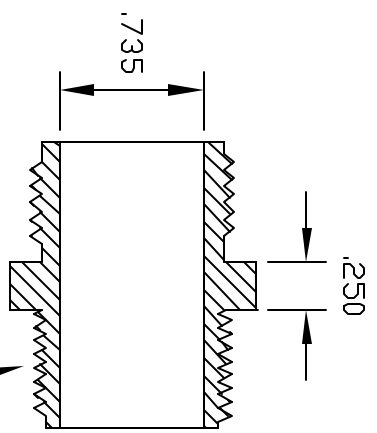


REVISIONS			
REV	DESCRIPTION	DATE	APPROVED
A	DRAWN & RELEASED	1/98	1/98
B	UPDATE DWG	9/07	9/07



MALE GARDEN HOSE THREAD



MALE 3/4 NPT

CONTROLLED DOCUMENT
ONLY IF IN RED

THIS PRINT AND THE SPECIFICATIONS ARE THE PROPERTY OF THOGUS PRODUCTS COMPANY AND HAVE BEEN ISSUED WITH THE UNDERSTANDING THAT IT IS TO BE USED FOR THE MANUFACTURE OF THE PARTS AND WILL BE RETURNED UPON REQUEST.

UNLESS OTHERWISE SPECIFIED DIMENSIONS ARE IN INCHES DECIMAL TOLERANCES FRACTIONS ANGLES SURFACE FINISH		DRAWN NM		DATE 1/98	
CHECKED 1/98		MATERIAL POLYPROPYLENE BLACK		Part Number 3/4 NPT X GARDEN HOSE THREAD NIPPLE	
THOGUS PRODUCTS 33490 PIN DAK PARKWAY AYOON LAKE OHIO 44012		Part Number GPN12/PPB		REV B	
SHEET 1 of 1		1		1	