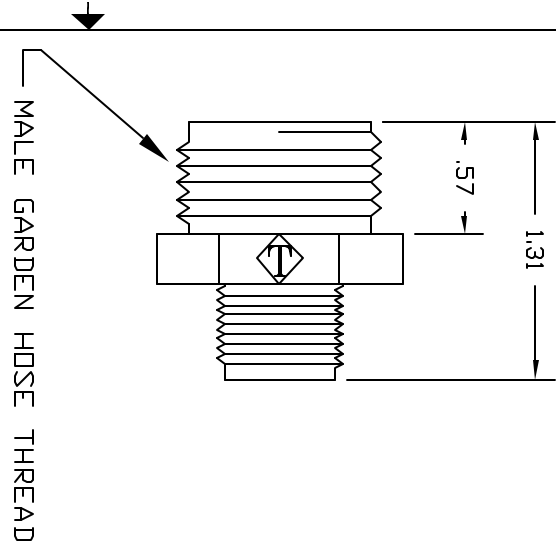
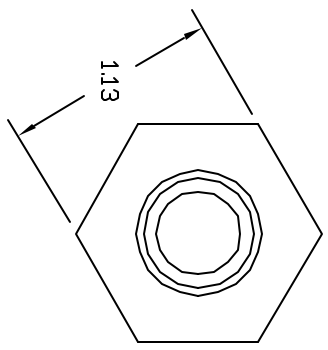
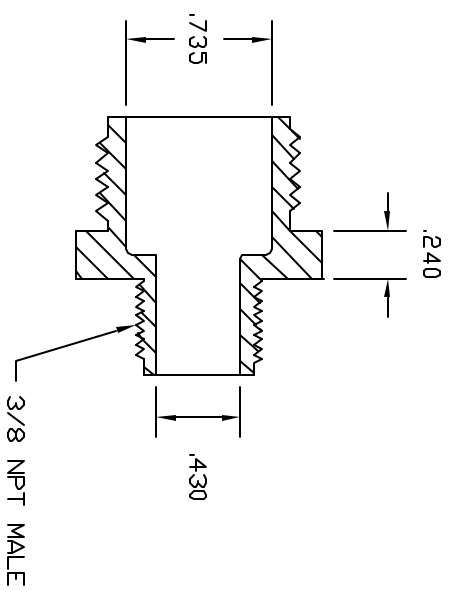


REVISIONS			
REV	DESCRIPTION	DATE	APPROVED
A	DRAWN & RELEASED	1/98	1/98
B	UPDATE DWG	9/07	9/07



CONTROLLED DOCUMENT  
ONLY IF IN RED

**CONFIDENTIAL**  
THIS PRINT AND THE SPECIFICATIONS ARE THE PROPERTY OF THOGUS PRODUCTS COMPANY AND HAVE BEEN ISSUED WITH THE UNDERSTANDING THAT REVEALING AND THE USE OF THE NAME/FACTURE FOR OTHERS AND WILL BE RETURNED UPON REQUEST.

UNLESS OTHERWISE SPECIFIED DIMENSIONS ARE IN INCHES	
DECIMALS	MILLAR
XX 1/100	1/100
XXX 1/1000	1/1000
DRAWN	NM
CHECKED	
DATE	1/98
MATERIAL	POLYPROPYLENE BLACK

Part Number		3/8 NPT X GARDEN HOSE THREAD NIPPLE	
THOGUS PRODUCTS		33490 PIN DAK PARKWAY AYDON LAKE OHIO 44012	
Part Number	GP6/PPB	SHEET	1 of 1
REV	B		