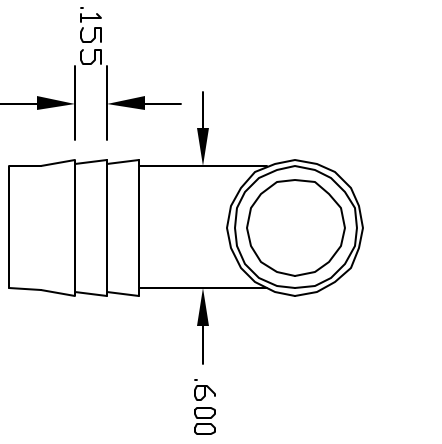
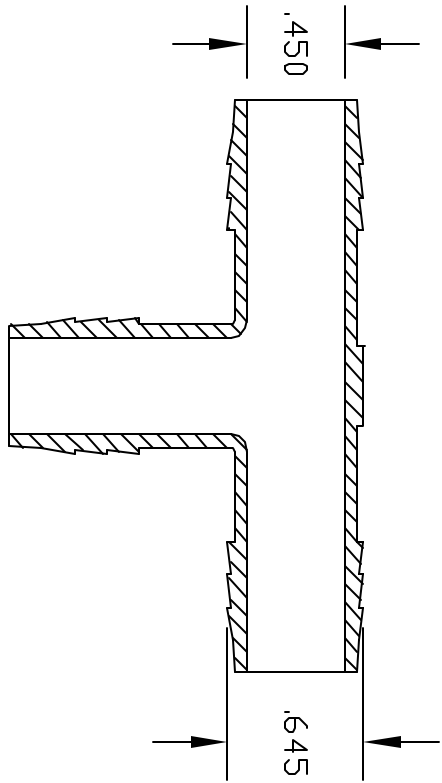
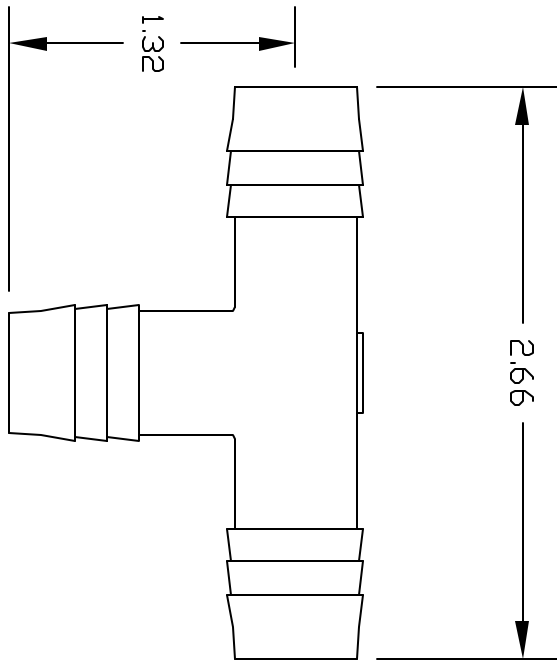


REV	DESCRIPTION	DATE	APPROVED
A	REDRAWN & RELEASED	5/98	5/98
B	REVISE BARBS/LENGTHEN	6/01	BM
C	.615 WAS .620	6/01	BM
D	UPDATE DWG	9/07	9/07



CONTROLLED DOCUMENT
ONLY IF IN RED

CONFIDENTIAL
THIS PRINT AND THE SPECIFICATIONS ARE THE PROPERTY OF THOGUS PRODUCTS COMPANY AND HAVE BEEN ISSUED WITH THE UNDERSTANDING THAT IT WILL NOT BE REPRODUCED, REVEALED TO OR USED FOR THE MANUFACTURE FOR OTHERS AND WILL BE RETURNED UPON REQUEST.

UNLESS OTHERWISE SPECIFIED DIMENSIONS ARE IN INCHES	DRAWN	DATE
DECIMALS	BM	6/00
ANGULAR		
XX +/- .05		
XXX +/- .015		
Part Name: 9101010P		

PART NAME:	5/8 BARB X 5/8 BARB X 5/8 BARB TEE
PART NUMBER:	TT9101010/P
MATERIAL:	POLYETHYLENE
THOGUS PRODUCTS	33490 PIN OAK PARKWAY AVON LAKE OHIO 44012
REV	D
SHEET	1 OF 1