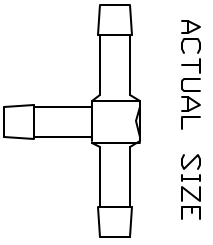
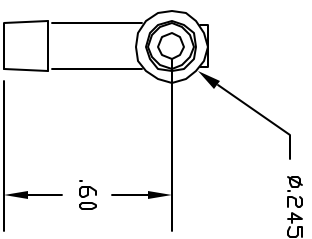
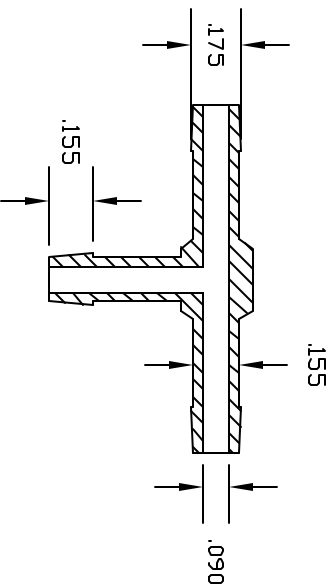
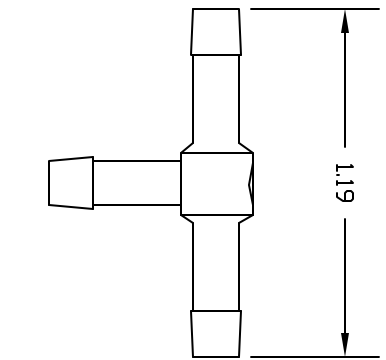


REVISIONS			
REV	DESCRIPTION	DATE	APPROVED
A	DRAWN AND RELEASED	2/98	2/98
B	UPDATE TOOLING	05/04	05/04
C	UPDATE DWG	9/07	9/07



CONTROLLED DOCUMENT  
ONLY IF IN RED

UNLESS OTHERWISE SPECIFIED DIMENSIONS ARE IN INCHES		Part Name:	
DECIMALS .XX	FRACTIONS 1/32	5/32 BARB X 5/32 BARB X 5/32 BARB TEE	
ANGLES ±.05		THOGUS PRODUCTS 33490 PIN DAK PARKWAY AYDON LAKE OHIO 44012	
DATE	DATE	Part Number	REV
2/98	2/98	TT 9156/N	C
DESIGNER N.M.	DRAWN N.M.	MATERIAL NYLON	9156N
SHEET 1 of 1			