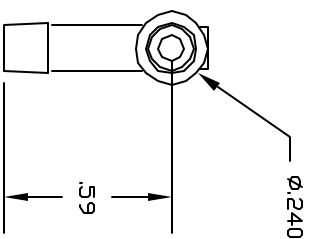
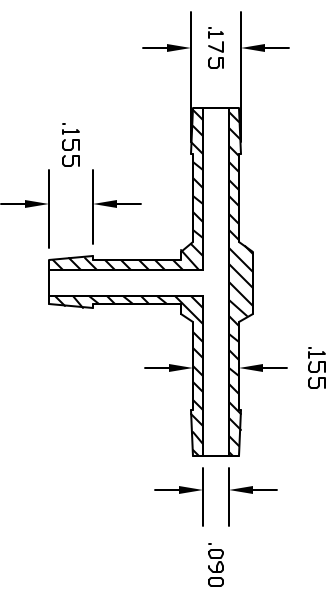
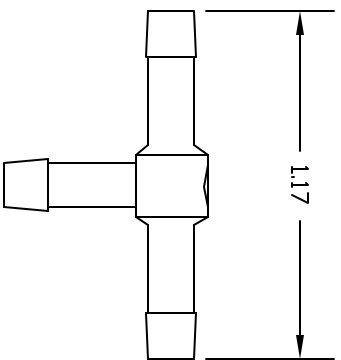
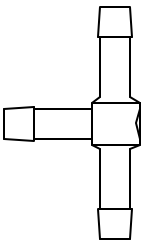


REV	DESCRIPTION	DATE	APPROVED
A	DRAWN AND RELEASED	2/98	2/98
B	UPDATE TOOLING	05/04	05/04
C	UPDATE DWG	9/07	9/07



ACTUAL SIZE



COLOR: BLACK (PPB)  
NATURAL (PPN)

CONTROLLED DOCUMENT  
ONLY IF IN RED

UNLESS OTHERWISE SPECIFIED DIMENSIONS ARE IN INCHES TOLERANCES DECIMALS ANGLES .XX +/- .05 .XX +/- .05		Part Name:	5/32 BARB X 5/32 BARB X 5/32 BARB	TEE
DRAWN	NM	DATE	2/98	
PLAUME	9156PP			
MATERIAL	POLYPROPYLENE	Part Number:	TT 9156/PP	REV
				C
				SHEET 1 of 1

**THOGUS**  
PRODUCTS  
33490 PIN OAK PARKWAY  
AVON LAKE OHIO 44012