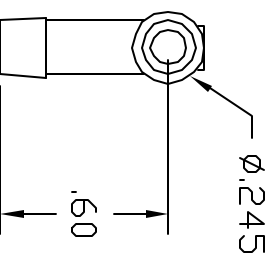
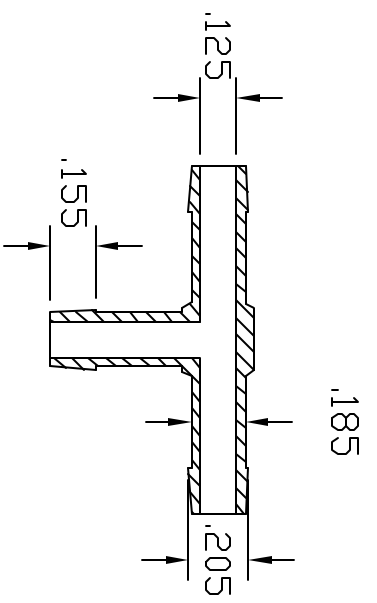
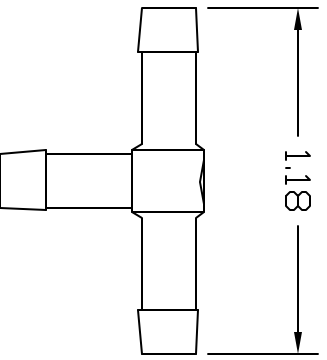
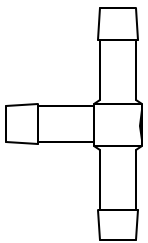


REVISIONS			
REV	DESCRIPTION	DATE	APPROVED
A	DRAWN AND RELEASED	2/98	2/98
B	UPDATE TOOLING	5/04	5/04
C	UPDATE DWG	9/07	9/07



ACTUAL SIZE



CONTROLLED DOCUMENT
ONLY IF IN RED

UNLESS OTHERWISE SPECIFIED DIMENSIONS ARE IN INCHES TOLERANCES DECIMALS ANGULAR .XX +/- .05 .XXX +/- .015 +/- .05		Part Name 3/16 BARB X 3/16 BARB X 3/16 BARB MINI TEE
DESIGNER N.M.	DATE 2/98	THOGUS PRODUCTS 33490 PIN OAK PARKWAY AVON LAKE OHIO 44012
DRAWN N.M.	DATE 2/98	
PART NUMBER 9187N	MATERIAL NYLON	REV C

SHEET 1 of 1