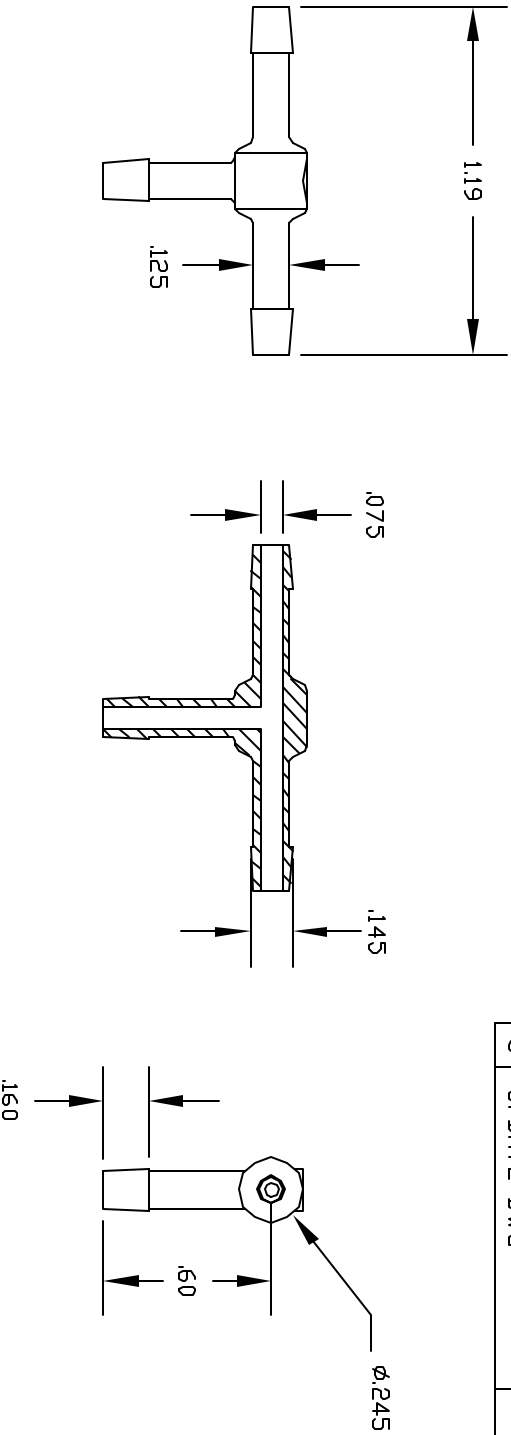
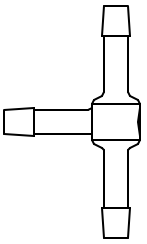


REV	DESCRIPTION	DATE	APPROVED
A	DRAWN AND RELEASED	2/98	2/98
B	ADD GATE PAD	5/04	5/04
C	UPDATE DWG	9/07	9/07

RENSKINS



ACTUAL SIZE



CONTROLLED DOCUMENT
ONLY IF IN RED

UNLESS OTHERWISE SPECIFIED DIMENSIONS ARE IN INCHES TOLERANCES DECIMALS ANGULARS .XX +/- .05 .XX +/- .015 DRAWN N M DATE 2/98		Part Name 1/8 BARB X 1/8 BARB X 1/8 BARB MINI TEE	
MATERIAL 9222N NYLON		THOGUS PRODUCTS 33490 PIN DAK PARKWAY AVON LAKE OHIO 44012	
Part Number TT9222/N	REV C	SHEET 1	of 1