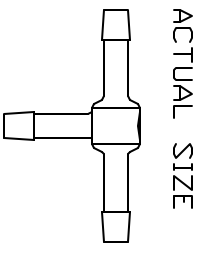
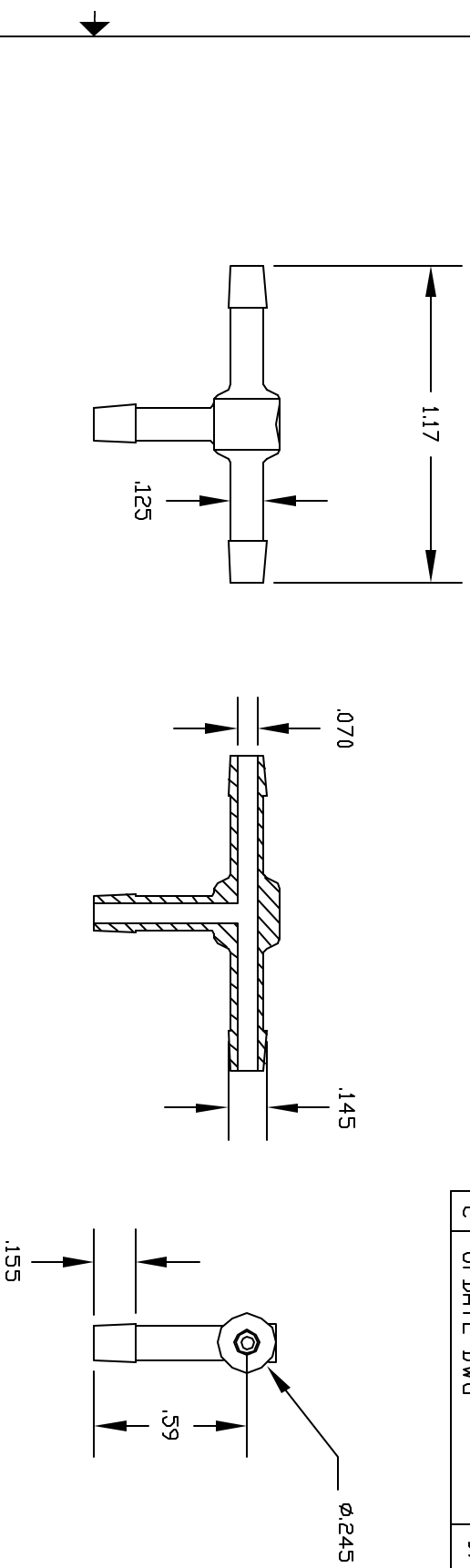


REV	DESCRIPTION	DATE	APPROVED
A	DRAWN AND RELEASED	2/98	2/98
B	ADD GATE PAD	5/04	5/04
C	UPDATE DWG	9/07	9/07



COLOR: BLACK (PPB)

NATURAL (PPN)

CONTROLLED DOCUMENT
ONLY IF IN RED

UNLESS OTHERWISE SPECIFIED DIMENSIONS ARE IN INCHES TOLERANCES ARE: DECIMALS ANGLE XXX +/- .015 XX +/- .05 X +/- .05		Part Name 1/8 BARB X 1/8 BARB X 1/8 BARB MINI TEE
DESIGNER PIL YPROPPYLENE	DRAWN NM	DATE 2/98
THOGUS PRODUCTS 33490 PIN DAK PARKWAY AVON LAKE OHIO 44012	Part Number TT9222/PP	REV C
SHEET 1 of 1		