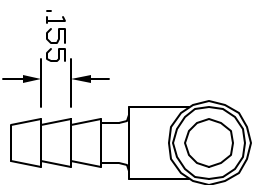
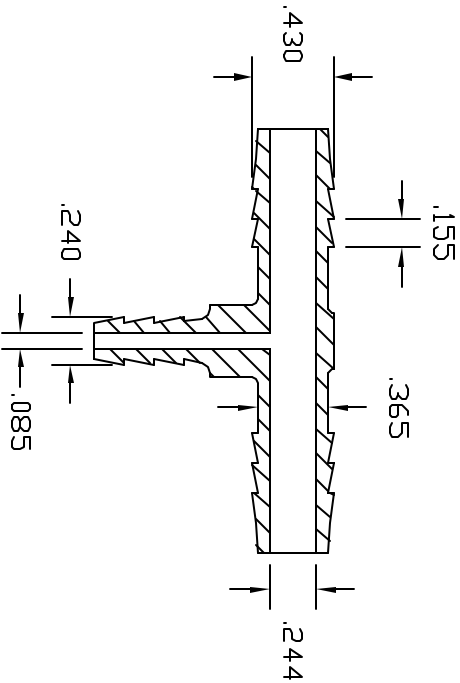
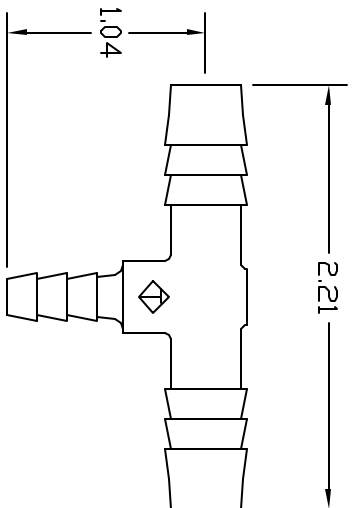


REVISIONS			
REV	DESCRIPTION	DATE	APPROVED
A	DRAWN	6/00	6/00
B	MODIFY BARBS	3/07	3/07
C	UPDATE DWG	9/07	9/07



COLOR: BLACK (PPB)
NATURAL (PPN)

UNLESS OTHERWISE SPECIFIED		PART NAME	
DIMENSIONS	IN DECIMALS	3/16 BARB X 3/8 BARB X 3/8 BARB TEE	
TOLERANCES	ANGULAR		
XXX +/- .005	+/- .015		
XXX +/- .005	+/- .015		
DRAWN	DATE		
NM	4/98		
MATERIAL	PLASTIC	THOGUS 33490 PIN DAK PARKWAY	
POLYPROPYLENE	9366PP	PRODUCTS AVDN LAKE DRID 44012	
		REV C	

CONFORMANCE
THIS PRINT AND THE SPECIFICATIONS
PRODUCE COMPANY AND HAVE BEEN
ISSUED WITH THE UNDERSTANDING THAT
IT WILL NOT BE REQUALED. THE
REVEALED TO BE USED FOR THE
PURPOSES FOR WHICH IT WILL
BE RETURNED.

CONTROLLED DOCUMENT
ONLY IF IN RED