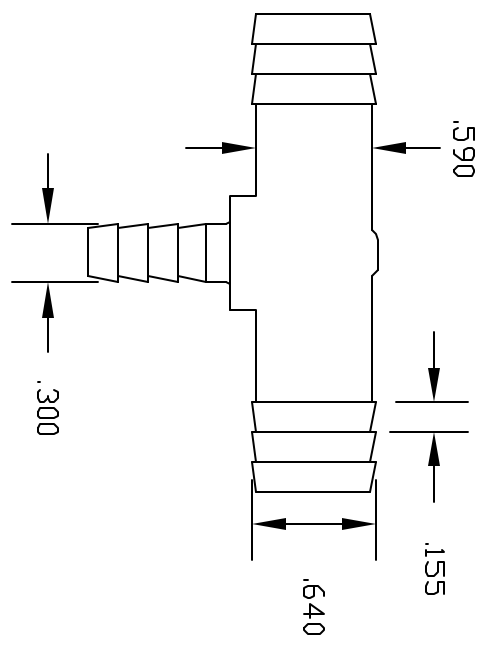
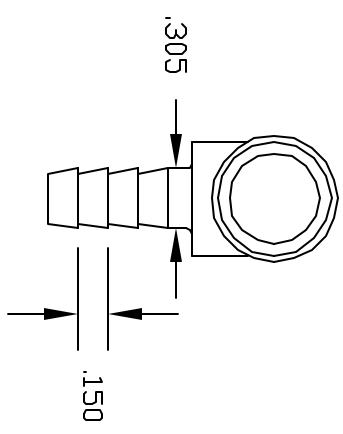
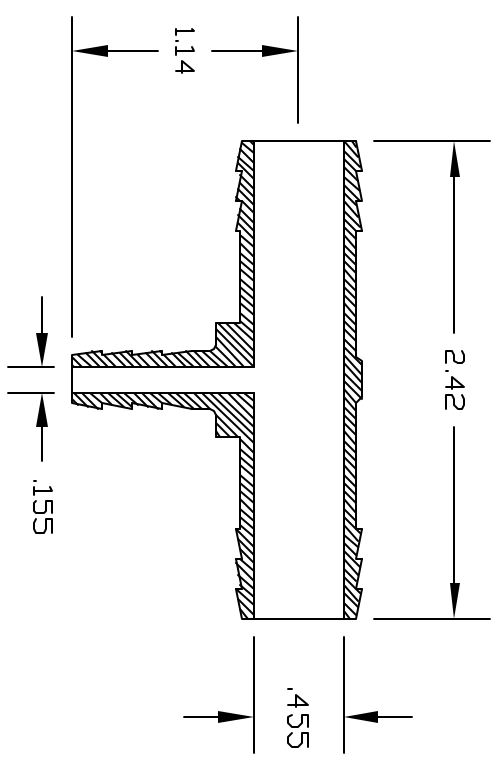


REV	DESCRIPTION	DATE	APPROVED
A	REDRAWN & RELEASED	5/98	5/98
B	UPDATE DWG	9/07	9/07



CONTROLLED DOCUMENT
ONLY IF IN RED

CONFIDENTIAL
THIS PRINT AND THE SPECIFICATIONS ARE THE PROPERTY OF THOGUS PRODUCTS COMPANY AND HAVE BEEN REPRODUCED IN WHOLE OR IN PART WITHOUT THE REPRODUCTION PERMISSION OF THOGUS PRODUCTS COMPANY. IT WILL NOT BE REPRODUCED, MANUFACTURED FOR OTHERS, AND WILL BE RETURNED UPON REQUEST.

UNLESS OTHERWISE SPECIFIED DIMENSIONS ARE IN INCHES		Part Name	
DECIMALS ANGULARS		1/4 BARB X 5/8 BARB X 5/8 BARB TEE	
.XX +/- .05		THOGUS PRODUCTS	
.XXX +/- .015		33490 PIN DAK PARKWAY	
DRAWN		AYDN LAKE OHIO 44012	
NM		DATE	
5/98		5/98	
PREPARED		Part Number	
941010P		T941010/P	
MATERIAL		SHEET	
POLYETHYLENE		1 of 1	
REV		REV	
B		B	