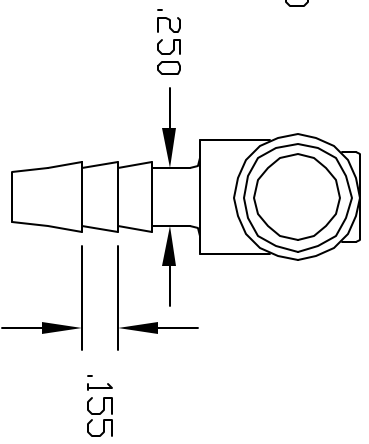
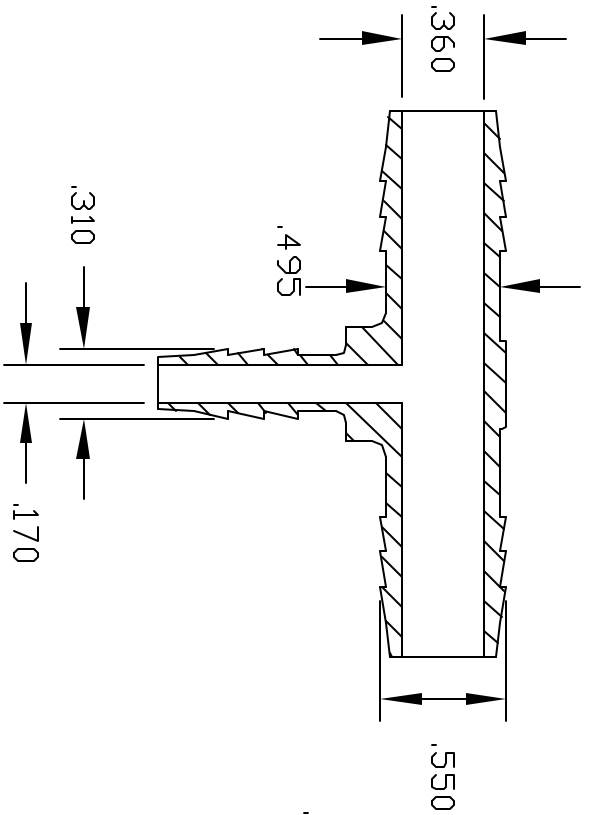
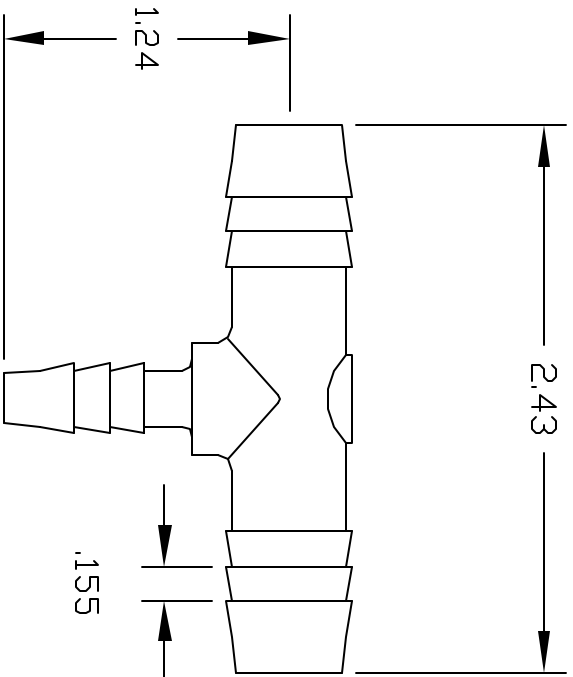


REV	DESCRIPTION	DATE	APPROVED
A	REDRAWN & RELEASED	3/98	3/98
B	LEAD BARB ADDED	9/99	9/99
C	REDRAWN & DIM.	12/28/99	12/99
D	MODIFY DROP BARB	3/07	3/07
E	UPDATE DWG	9/07	9/07



CONTROLLED DOCUMENT  
ONLY IF IN RED

**CONFIDENTIAL**  
THIS PRINT AND THE SPECIFICATIONS ARE THE PROPERTY OF THOGUS PRODUCTS COMPANY AND HAVE BEEN ISSUED WITH THE UNDERSTANDING THAT IT WILL NOT BE REPRODUCED, REVEALED TO OR USED FOR THE MANUFACTURE FOR OTHERS AND WILL BE RETURNED UPON REQUEST.

UNLESS OTHERWISE SPECIFIED DIMENSIONS ARE IN INCHES		PART NAME	
DECIMALS	TOLERANCES	1/4 BARB X 1/2 BARB X 1/2 BARB	TEE
XX	ANGULAR		
XXX	+/- .015		
DRAWN	DATE	PART NUMBER	
BM	12/99	TT9488/P	
MATERIAL		REV	
POLYETHYLENE		E	
		SHEET	1 OF 1

**THOGUS PRODUCTS**  
33490 PIN OAK PARKWAY  
AVON LAKE OHIO 44012