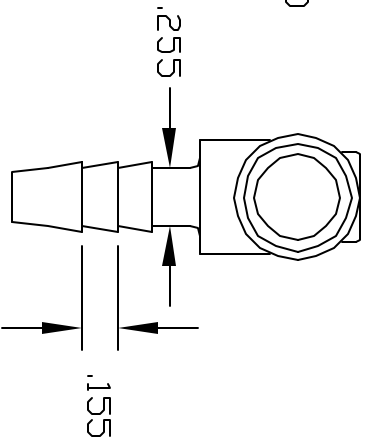
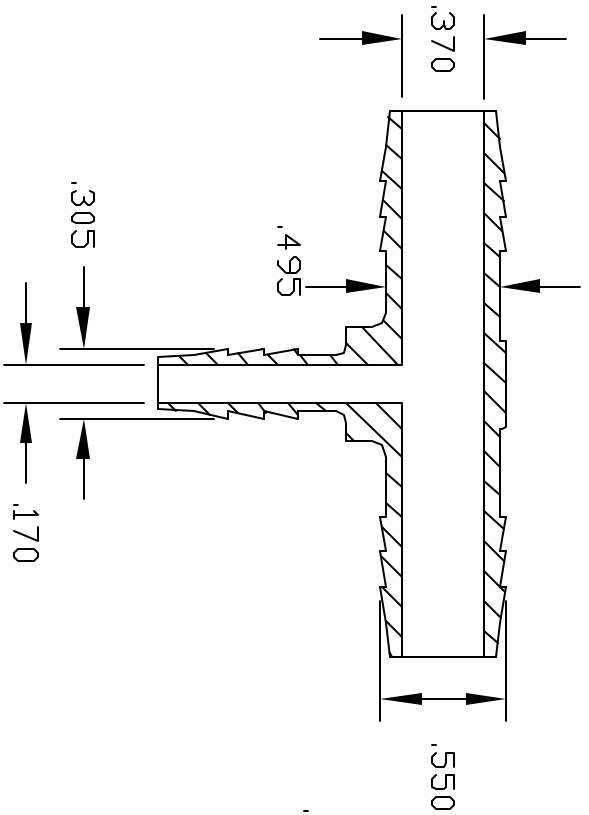
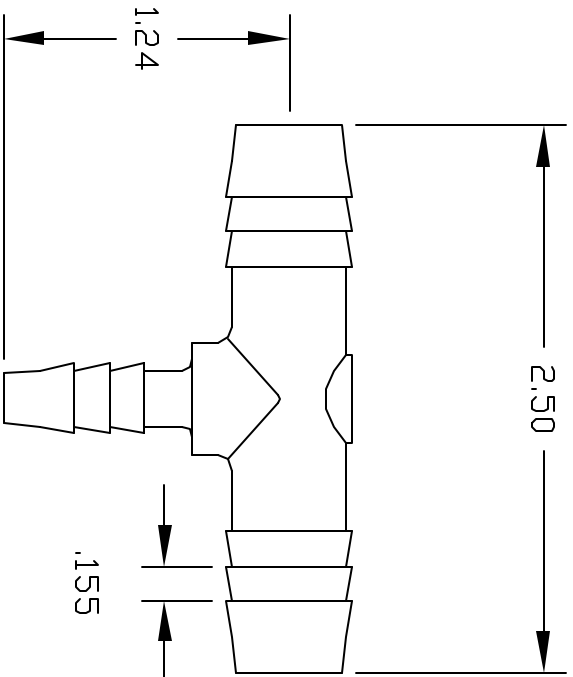


REV	DESCRIPTION	DATE	APPROVED
A	REDRAWN & RELEASED	3/98	3/98
B	LEAD BARB ADDED	9/99	9/99
C	REDRAWN & DIM.	12/28/99	12/99
D	MODIFY DROP BARB	3/07	3/07
E	UPDATE DWG	9/07	9/07



COLOR: BLACK (PPB)
 NATURAL (PPN)

UNLESS OTHERWISE SPECIFIED DIMENSIONS ARE IN INCHES TOLERANCES		PART NAME	
DECIMALS	ANGULAR	1/4 BARB X 1/2 BARB X 1/2 BARB TEE	
XX +/- .05	+/- .05	THOGUS PRODUCTS 33490 PIN OAK PARKWAY AVON LAKE OHIO 44012	
XXX +/- .015			
DRAWN	DATE	PART NUMBER	
BM	12/99	TT9488/PP	
MATERIAL		SHEET 1 OF 1	
POLYPROPYLENE			

CONTROLLED DOCUMENT
 ONLY IF IN RED

CONFIDENTIAL
 THIS PRINT AND THE SPECIFICATIONS
 ARE THE PROPERTY OF THOGUS
 PRODUCTS COMPANY AND HAVE BEEN
 ISSUED WITH THE UNDERSTANDING THAT
 IT WILL NOT BE REPRODUCED,
 REVEALED TO OR USED FOR THE
 MANUFACTURE FOR OTHERS AND WILL
 BE RETURNED UPON REQUEST.

REV E