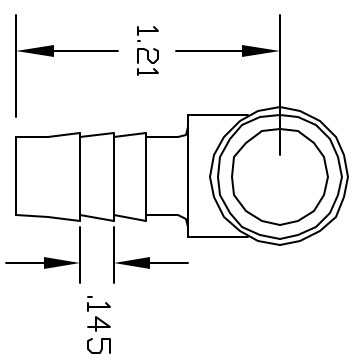
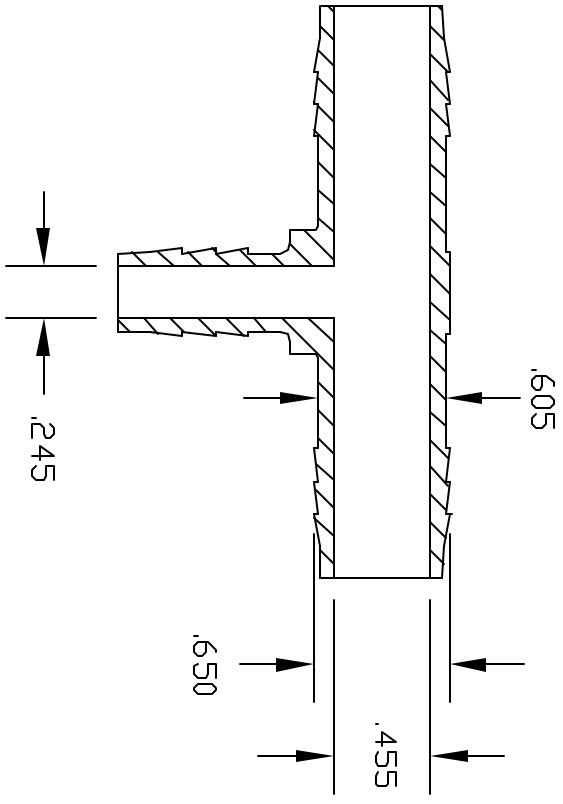
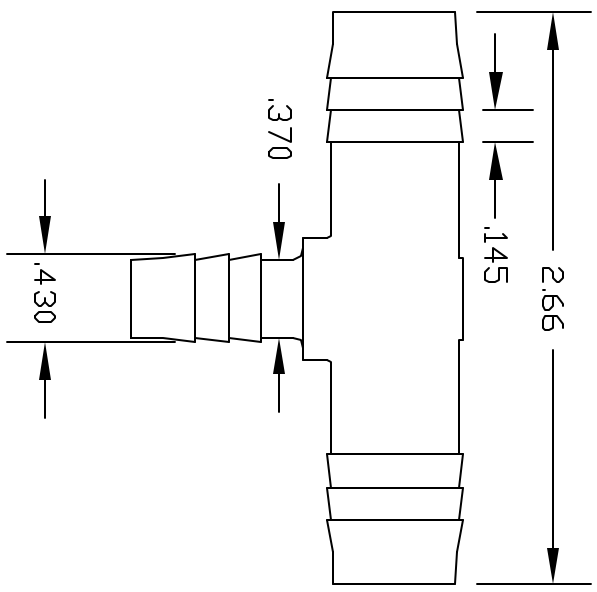


REV	DESCRIPTION	DATE	APPROVED
A	REDRAWN & RELEASED	5/98	5/98
B	UPDATE DRAWING	6/00	6/00
C	MODIFY BARBS	3/07	3/07
D	UPDATE DWG	9/07	9/07



RECOMMENDATION
 THIS PRINT AND THE SPECIFICATIONS
 HEREIN ARE THE PROPERTY OF THOGUS
 PRODUCTS. NO PARTS THEREOF SHALL BE
 REPRODUCED OR TRANSMITTED IN ANY
 FORM OR BY ANY MEANS, ELECTRONIC
 OR MECHANICAL, INCLUDING PHOTOCOPYING,
 RECORDING, OR BY ANY INFORMATION
 STORAGE AND RETRIEVAL SYSTEM, WITHOUT
 PERMISSION IN WRITING FROM THOGUS
 PRODUCTS. ANY UNAUTHORIZED USE OR
 REPRODUCTION OF THIS DOCUMENT IS
 STRICTLY PROHIBITED. THIS DOCUMENT
 SHALL BE RETURNED TO THE MANUFACTURER
 UPON REQUEST.

UNLESS OTHERWISE SPECIFIED DIMENSIONS ARE IN INCHES		PART NAME: 3/8 BARB X 5/8 BARB X 5/8 BARB TEE	
TOLERANCES	DECIMALS	DRAWN DATE	
.005	.005	BM	6/00
ANGLES	±.05	MATERIAL: POLYETHYLENE	
DRAWN: 961010P		PART NUMBER: TT961010/P	
DATE: 6/00		SCALE: 1:1	
THOGUS PRODUCTS		SHEET 1 OF 1	
33490 PIN OAK PARKWAY AVON LAKE OHIO 44012		REV D	

CONTROLLED DOCUMENT
 ONLY IF IN RED