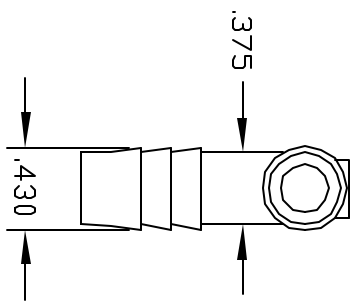
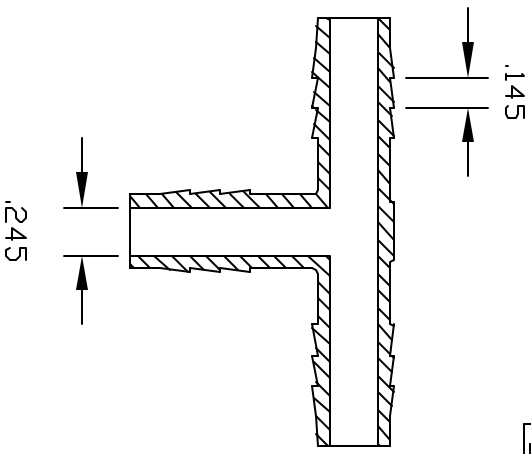
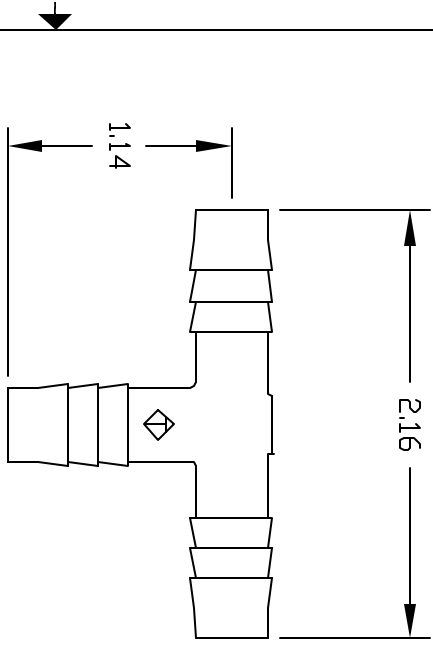


REV		DESCRIPTION	DATE	APPROVED
A		REDRAWN & RELEASE	4/98	4/98
B		ADDED	6/98	6/98
C		UPDATE DRAWING	3/22/00	BM
D		MODIFY BARBS	03/03	03/03
E		UPDATE DWG	9/07	9/07



UNLESS OTHERWISE SPECIFIED DIMENSIONS ARE IN INCHES		TOLERANCES		PART NUMBER	
XX	+/- .05	XX	+/- .05	3/8 BARB X 3/8 BARB X 3/8 BARB	
XXX	+/- .015	XXX	+/- .015	TEE	
DRAWN	NM	DATE	4/98	THOGUS PRODUCTS	
DESIGNED				33490 PIN DAK PARKWAY	
MATERIAL	POLYETHYLENE			AVON LAKE OHIO 44012	
REV		SHEET		REV	
E		1 of 1		E	

THIS PRINT AND THE SPECIFICATIONS ARE THE PROPERTY OF THOGUS PRODUCTS COMPANY AND HAVE BEEN ISSUED WITH THE UNDERSTANDING THAT ALL RIGHTS ARE RESERVED. THE REPRODUCTION OR TRANSMISSION OF THIS INFORMATION FOR OTHERS AND WILL BE RETURNED UPON REQUEST.

CONTROLLED DOCUMENT
ONLY IF IN RED