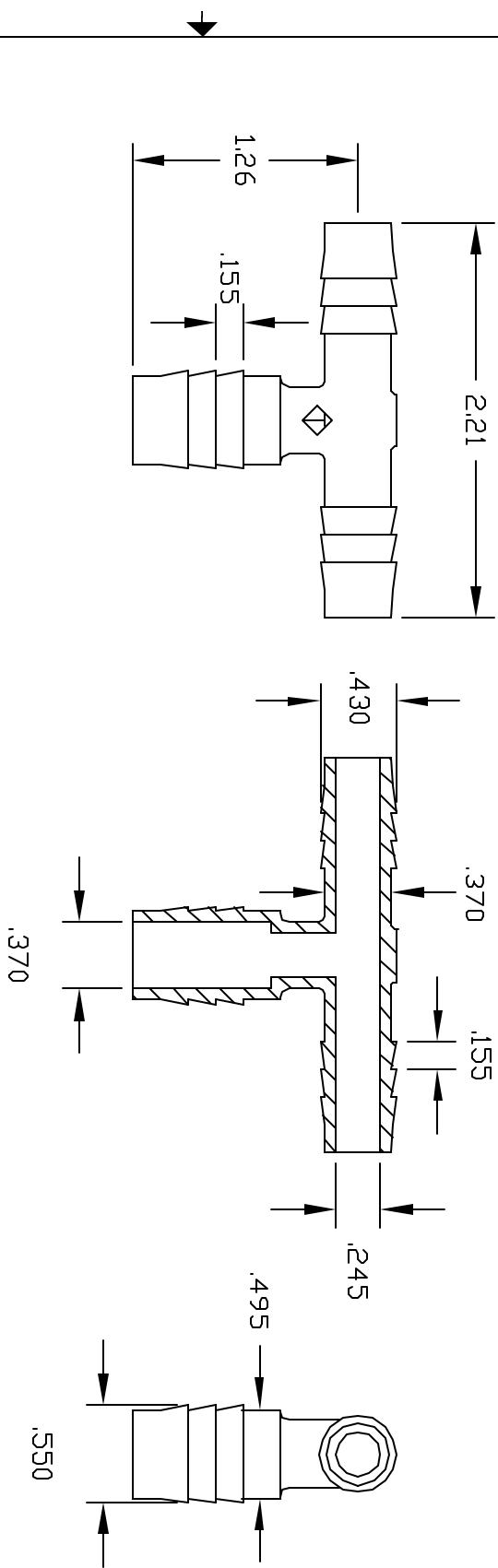


REVISIONS			
REV	DESCRIPTION	DATE	APPROVED
A	REDRAWN & RELEASED	5/98	5/98
B	MODIFY BARBS	3/07	3/07
C	UPDATE DWG	9/07	9/07



COLOR: BLACK (PPB)
 NATURAL (PPN)

CONTROLLED DOCUMENT
 ONLY IF IN RED

CONDONANTIAL
 THIS PRINT AND THE SPECIFICATIONS ARE THE PROPERTY OF THOGUS PRODUCTS COMPANY AND HAVE BEEN ISSUED WITH THE UNDERSTANDING THAT THE USER SHALL BE RESPONSIBLE FOR THE REVISIONS AND THE MANUFACTURE FOR OTHERS AND WILL BE RETURNED UPON REQUEST.

UNLESS OTHERWISE SPECIFIED DIMENSIONS ARE IN INCHES		TOLERANCES	
XXX	+/- .05	XX	+/- .05
XXX	+/- .015		
DRAWN	NM	DATE	5/98
MATERIAL	9866PP		
POLYPROPYLENE		Part Name:	1/2 BARB X 3/8 BARB X 3/8 BARB TEE
		Part Number:	THOGUS PRODUCTS 33490 PIN DAK PARKWAY AVON LAKE OHIO 44012
		Part Number:	9866/PP
		SHEET	1 of 1
		REV	C