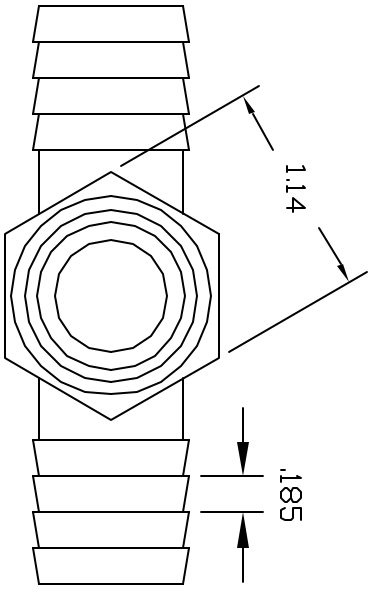
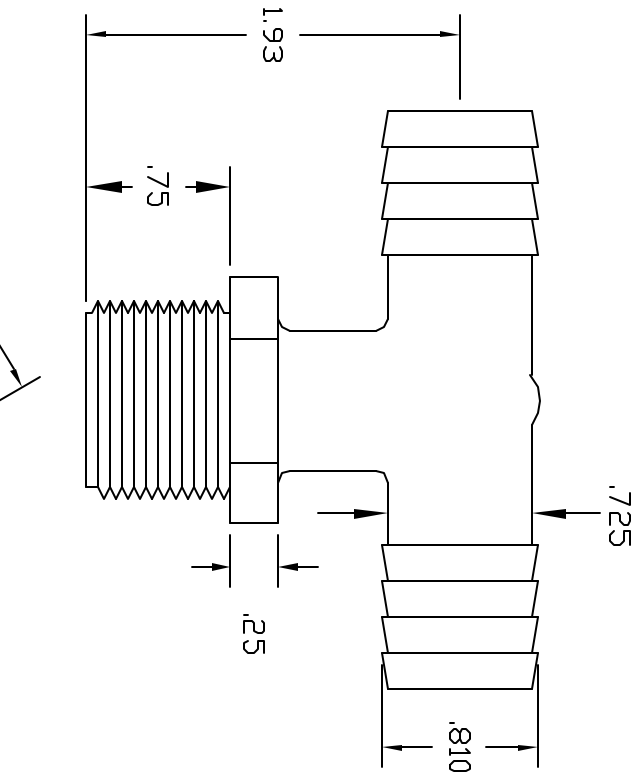
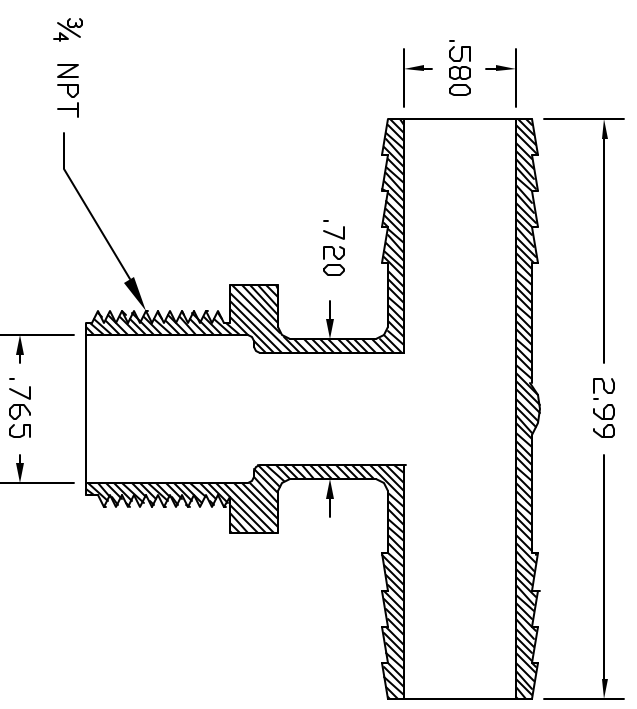


REVISIONS			
REV	DESCRIPTION	DATE	APPROVED
A	REDRAWN & RELEASED	4/98	4/98
B	UPDATE DWG	9/07	9/07



CONTROLLED DOCUMENT  
ONLY IF IN RED



**CONFIDENTIAL**  
THIS PRINT AND THE SPECIFICATIONS ARE THE PROPERTY OF THOGUS PRODUCTS COMPANY AND HAVE BEEN ISSUED WITH THE UNDERSTANDING THAT IT IS TO BE KEPT FOR THE MANUFACTURE OF THIS PART ONLY AND WILL BE RETURNED UPON REQUEST.

UNLESS OTHERWISE SPECIFIED DIMENSIONS ARE IN INCHES		TOLERANCES	
XX	+/- .05	XX	+/- .05
XXX	+/- .015	XXX	+/- .015

DRAWN	DATE	Part Name
NM	4/98	3/4NPT X 3/4 BARB X 3/4 BARB THREADED TEE

DATE	Part Number	Part Name
4/98	TT3121212/N	THOGUS 33490 PIN DAK PARKWAY PRODUCTS AYOON LAKE OHIO 44012

DATE	Part Number	Part Name
4/98	TT3121212/N	THOGUS 33490 PIN DAK PARKWAY PRODUCTS AYOON LAKE OHIO 44012

REV	DATE	DESCRIPTION	BY
B	9/07	UPDATE DWG	